

**PARTS & SERVICE DEPARTMENT**

300 Maddox Simpson Pkwy  
Lebanon, Tennessee 37090  
615-889-8900 Fax: 615-547-1003  
www.Lochinvar.com

**Date:** October 1, 2008

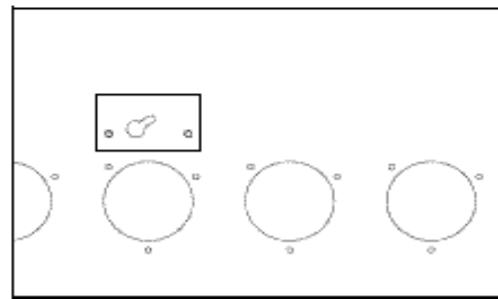
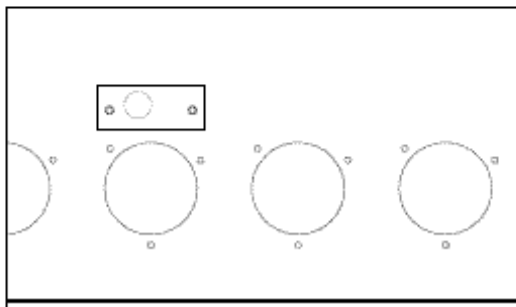
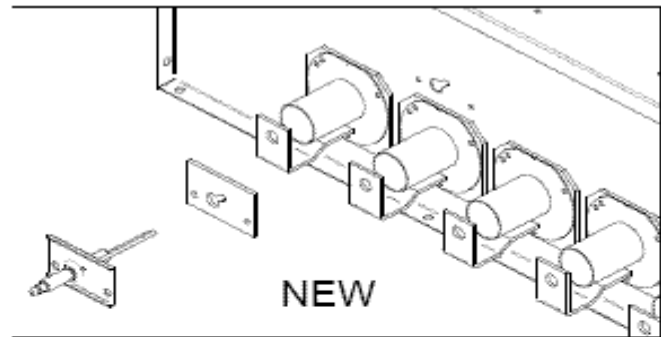
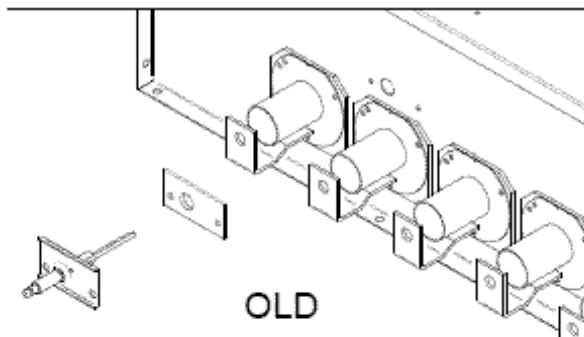
**Bulletin Number:** 2008-111

**TO:** Manufacturers' Representatives, District Sales Managers, Regional Managers, Technical & Customer Service Personnel, Service Agents, Sales & Marketing Personnel

**SUBJECT:** Energy-Rite Pool Heater Igniter Gasket Change

The Energy-Rite Pool Heaters consisting of models ER (N, L) 152, 202, 252, 302 and 402 are now manufactured with a smaller igniter opening and larger igniter gasket. This slight change was instituted to reduce the potential for combustion air from the front chamber pushing through the igniter opening. This excess air blowing across the igniter could possibly contribute to hard starts in some units.

The images below indicate the updated igniter gasket and sheet metal.



Starting date of 8-22-08 for the new sheet metal door (H08H00010934 for non-ASME) and (H08H00211537 for ASME)

Starting date of 9-18-08 for the new gasket (I08H00011037 for non-ASME) and (I08H00212501 for ASME)

Should you have any questions please feel free to contact Technical Service at 1-800-722-2101.