



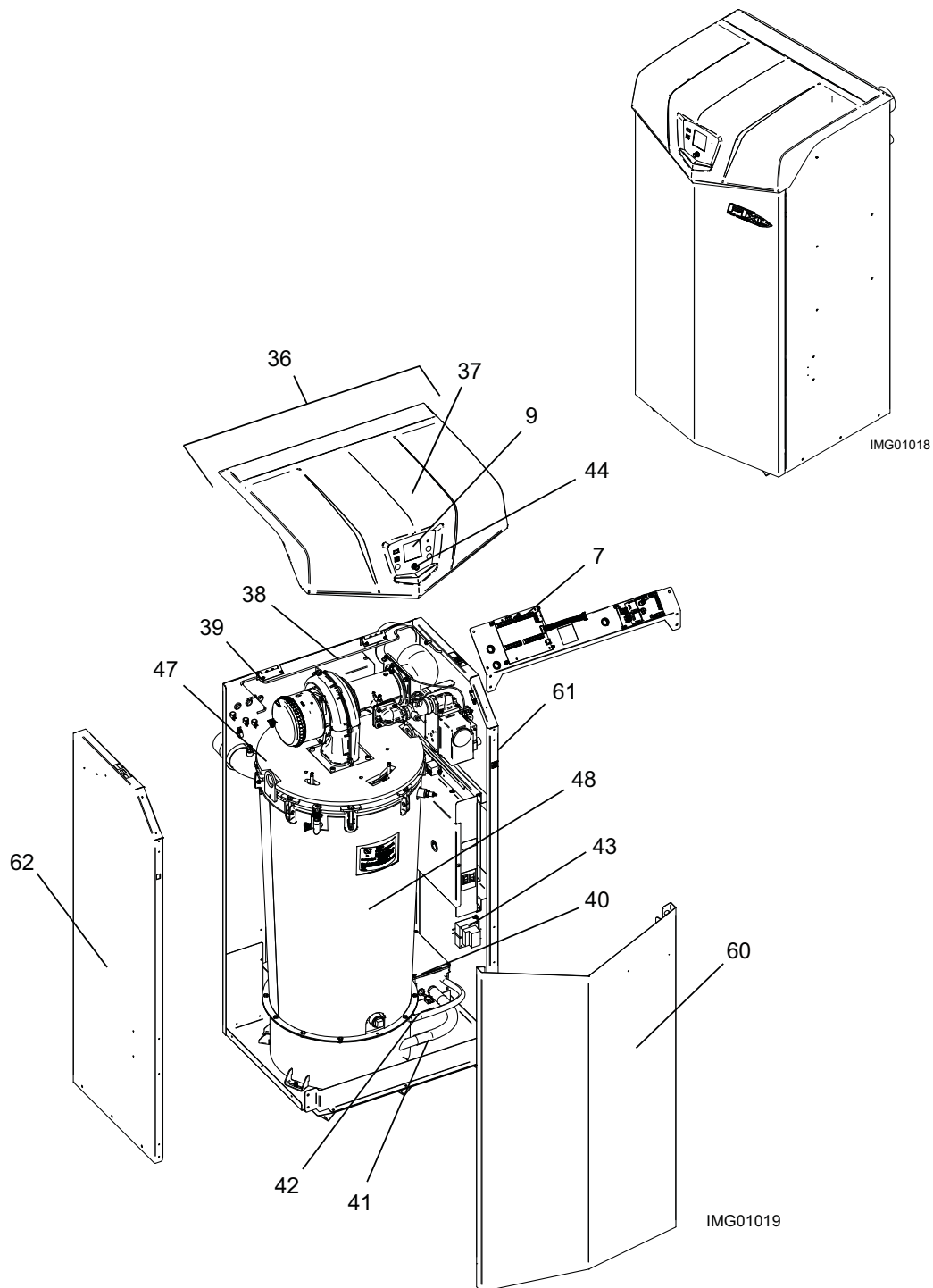
**Lochinvar**<sup>®</sup>  
HIGH EFFICIENCY BOILERS & WATER HEATERS

**PARTS & SERVICE DEPARTMENT**

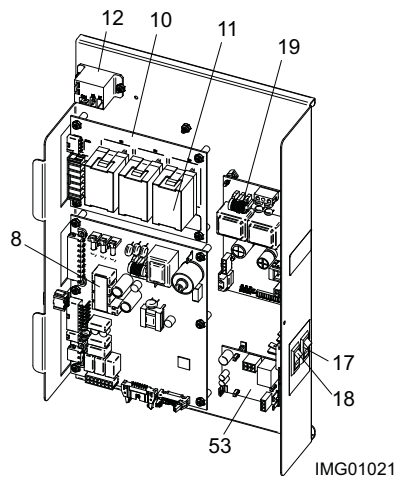
Nashville, Tennessee  
615-889-8900 • Fax: 615-882-2918  
parts\_team@lochinvar.com  
www.Lochinvar.com

**Replacement Parts List**

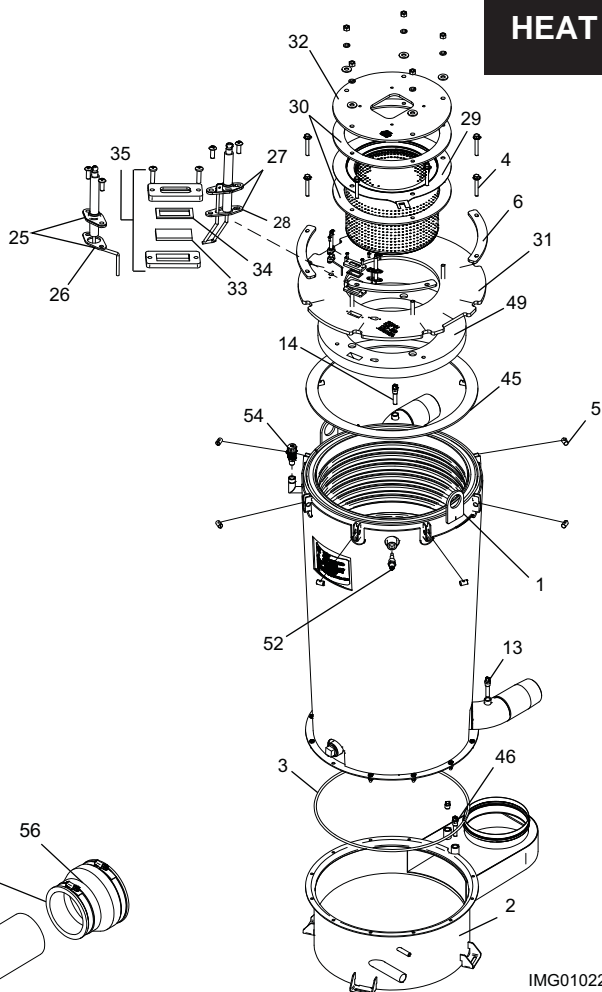
**FTXL**<sup>®</sup>  
**Heating Boilers**  
**FTX400 - 850(N/L)**



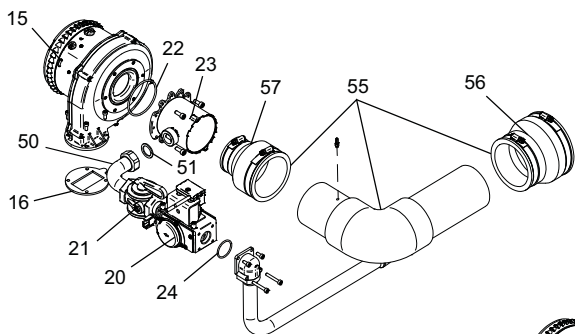
## CONTROL PANEL



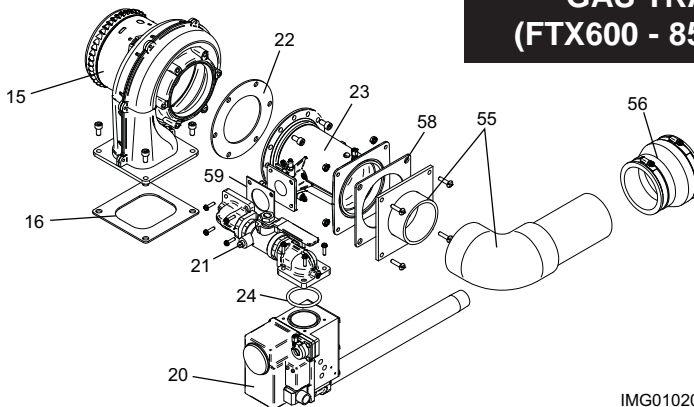
## HEAT EXCHANGER



## GAS TRAIN (FTX400 - 500 N/L)



## GAS TRAIN (FTX600 - 850 N/L)



ITEM NO.	PART NO.	DESCRIPTION	MODEL
<b>HEAT EXCHANGER ASSEMBLY</b>			
1	HEX30095	HEAT EXCHANGER COMPLETE	FTX400
1	HEX30096	HEAT EXCHANGER COMPLETE	FTX500-600
1	HEX30097	HEAT EXCHANGER COMPLETE	FTX725
1	HEX30098	HEAT EXCHANGER COMPLETE	FTX850
2	HEX30099	HEAT EXCHANGER FLUE COLLECTOR	FTX400-600
2	HEX30100	HEAT EXCHANGER FLUE COLLECTOR	FTX725-850
3	GKT20152	FLUE GASKET	FTX400-600
3	GKT20153	FLUE GASKET	FTX725-850
4	BLT20120	BOLT, HEX	ALL
5	BLT20121	NUT, HEX	ALL
6	JKB60843	WASHER, HEX	FTX 400-600
6	JKB60823	WASHER, HEX	FTX725-850

PLEASE HAVE MODEL AND SERIAL NUMBER WHEN ORDERING PARTS

ITEM NO.	PART NO.	DESCRIPTION	MODEL
<b>CONTROLS</b>			
7	RLY20137	CONNECTION BOARD, LOW VOLTAGE	ALL
8	RLY30131	INTEGRATED CONTROL	FTX400
8	RLY30132	INTEGRATED CONTROL	FTX500
8	RLY30133	INTEGRATED CONTROL	FTX600
8	RLY30134	INTEGRATED CONTROL	FTX725
8	RLY30135	INTEGRATED CONTROL	FTX850
8	RLY30136	HIGH ALTITUDE INTEGRATED CONTROL	FTX400
8	RLY30137	HIGH ALTITUDE INTEGRATED CONTROL	FTX500
8	RLY30138	HIGH ALTITUDE INTEGRATED CONTROL	FTX600
8	RLY30139	HIGH ALTITUDE INTEGRATED CONTROL	FTX725
8	RLY30140	HIGH ALTITUDE INTEGRATED CONTROL	FTX850
9	RLY20136	USER INTERFACE CONTROL	ALL
10	RLY2085	RELAY BOARD, 1.5 HP PUMP	ALL
11	RLY2222	RELAY, 1.5 HP PUMP	ALL
12	RLY2706	RELAY, 120 VAC, 60 HZ	ALL
13	TST2060	INLET SENSOR	ALL
14	TST20009	OUTLET SENSOR/ HIGH LIMIT	ALL
15	FAN30017	FAN ASSEMBLY	FTX400
15	FAN30016	FAN ASSEMBLY	FTX500
15	FAN30015	FAN ASSEMBLY	FTX600-850
16	GKT20139	BLOWER GASKET	FTX400-500
16	GKT20138	BLOWER GASKET	FTX600-850
17	SWT2003	SWITCH OFF, MOMENTARY, BLACK	ALL
18	SWT2002	SWITCH OFF, MOMENTARY, RED	ALL
19	RLY20041	MODBUS BOARD	ALL
<b>GAS VALVES</b>			
20	VAL30097	GAS VALVE ASSEMBLY NAT & LP	FTX400
20	VAL30096	GAS VALVE ASSEMBLY NAT & LP	FTX500
20	VAL30095	GAS VALVE ASSEMBLY NAT	FTX600
20	VAL30094	GAS VALVE ASSEMBLY NAT	FTX725
20	VAL30093	GAS VALVE ASSEMBLY NAT	FTX850
20	VAL30092	GAS VALVE ASSEMBLY LP	FTX600
20	VAL30091	GAS VALVE ASSEMBLY LP	FTX725
20	VAL30090	GAS VALVE ASSEMBLY LP	FTX850
21	GAC2028	GAS CUT OFF VALVE 3/4 X 3/4	FTX500
21	VAL2207	VALVE, THREADED BALL W/ TAP	FTX600-850
22	GKT2444	GASKET, VENTURI	FTX400-500
22	GKT2049	GASKET, VENTURI	FTX600-850
23	VAL20123	VENTURI, NAT	FTX400-500
23	VAL20133	VENTURI, LP	FTX400-500
23	VAL2722	VENTURI	FTX600
23	VAL20135	VENTURI	FTX725-850
24	GKT20065	GASKET, GAS VALVE	FTX500
24	GKT20066	GASKET, GAS VALVE	FTX600-850
<b>PILOT &amp; BURNER ASSEMBLIES</b>			
25	PLT30003	FLAME SENSOR W/ GASKET	ALL
26	GKT20055	GASKET, FLAME SENSOR	ALL
27	PLT30004	IGNITOR W/ GASKET	ALL
28	GKT20054	GASKET, IGNITOR	ALL
29	BNR30024	BURNER W/ GASKET	FTX400
29	BNR30025	BURNER W/ GASKET	FTX500-600
29	BNR30026	BURNER W/ GASKET	FTX725-850
30	GKT20145	GASKET, BURNER	FTX400-600
30	GKT20150	GASKET, BURNER	FTX725-850
31	WTR30036	DOOR, HEAT EXCHANGER ASSY	FTX400-600
31	WTR30035	DOOR, HEAT EXCHANGER ASSY	FTX725-850
32	WTR30034	PLATE, FAN HEAT EXCHANGER ASSY	FTX400-500
32	WTR30033	PLATE, FAN HEAT EXCHANGER ASSY	FTX600
32	WTR30032	PLATE, FAN HEAT EXCHANGER ASSY	FTX725-850
<b>PLEASE HAVE MODEL AND SERIAL NUMBER WHEN ORDERING PARTS</b>			

ITEM NO.	PART NO.	DESCRIPTION	MODEL
<b>MISCELLANEOUS</b>			
33	MSC20372	SIGHT GLASS	ALL
34	GKT20135	GASKET, SIGHT GLASS	ALL
35	MSC30056	KIT, SIGHT GLASS	ALL
36	PAN30046	BEZEL WITH DISPLAY	ALL
37	MSC20370	BEZEL, DISPLAY	ALL
38	MSC20391	ROD, PROP, BEZEL	ALL
39	HNG20000	HINGE, SPRING, STEEL, ZINC	ALL
40	MSC20149	CONDENSATE TRAP	ALL
41	MSC20396	HOSE, CONDENSATE 1"	ALL
42	MSC20397	HOSE, CONDENSATE 3/8"	ALL
43	TRF20002	TRANSFORMER 60 VA	ALL
44	MSC20123	KNOB, FLUTED W / SKIRT	ALL
45	GKT20133	GASKET, HEX, KIT	FTX400-600
45	GKT20149	GASKET, HEX, KIT	FTX725-850
46	TST20026	FLUE TEMP SENSOR	ALL
47	FIB20156	INSULATION, TOP	FTX400-500
47	FIB20170	INSULATION, TOP	FTX600
47	FIB20155	INSULATION, TOP	FTX725-850
48	FIB20164	INSULATION, BLANKET	FTX400-600
48	FIB20163	INSULATION, BLANKET	FTX725-850
49	FIB20165	FIBERBOARD, BURNER 245 MM	FTX400-600
49	FIB20166	FIBERBOARD, BURNER 245 MM	FTX725-850
50	BRS20084	ADAPTER G1 UNION X 3/4 NPT	FTX400-500
51	GKT20148	O-RING, 1" BSPP, UNION	FTX400-500
52	WTR20011	PROBE, LWCO, SHORT	ALL
53	WTR2220	LWCO, 24 V, AUTO, M RESET	ALL
54	RLV30000	AIR VENT VALVE	ALL
55	MSC30055	KIT, AIR INTAKE	FTX400-500
55	MSC30054	KIT, AIR INTAKE	FTX600-850
56	CPG20023	COUPLING, AIR, INLET 3-4	ALL
57	CPG2059	COUPLING, AIR INLET 2-3	FTX400-500
58	GKT2034	GASKET, AIR INTAKE	FTX600-850
59	GKT2050	GASKET, FLANGE, VENTURI	FTX600-850
-	SWT2006	ON/OFF SWITCH	ALL
-	RLV2084	RELIEF VALVE 50 PSI	FTX400-600
-	RLV2001	RELIEF VALVE 50 PSI	FTX725-850
-	TST2311	OUTDOOR AIR SENSOR	ALL
-	GTP2900	GAUGE TRIOMETER, 75# PSI	ALL
-	TST2032	SYSTEM SENSOR	ALL
-	KIT3087	NEUTRALIZER KIT	FTX400-500
-	KIT30097	NEUTRALIZER KIT	FTX600-850
-	MSC20062	CATCH, DOOR, BLUE	ALL
-	MSC2202	STRIKE, DOOR	ALL
-	WRE20222	HARNESS, UNIT	ALL
-	WRE20221	HARNESS, POWER	ALL
-	WRE20099	HARNESS, ELECTRODE, FLAME SENSE	ALL
-	WRE2209	HARNESS, SPARK ELECTRODE	ALL
-	WRE20225	RIBBON CABLE	ALL
-	WRE20214	HARNESS, GAS VALVE	FTX400-500
-	WRE20215	HARNESS, GAS VALVE	FTX600-850
-	TST30019	SENSOR COMM BOILER, KIT	ALL
-	KIT40116	INSTALL KIT	FTX400-600
-	KIT40117	INSTALL KIT	FTX725-850
-	LPK30017	LP KIT	FTX400-500
-	LPK30018	LP KIT	FTX600-850
-	LBL20421	USER INTERFACE OVERLAY	ALL
<b>JACKET ASSEMBLY</b>			
60	JKB30120	JACKET, OUTER FRONT	ALL
61	JKB30121	JACKET, OUTER RIGHT	ALL
62	JKB30122	JACKET, OUTER LEFT	ALL

PLEASE HAVE MODEL AND SERIAL NUMBER WHEN ORDERING PARTS