

Power Vented Water Heaters

Lochinvar's Power Vented models are available in capacities of 40, 50, & 65 gallons and feature a powered exhaust fan for sidewall venting with PVC material. All models meet or exceed the NAECA and ASHRAE Energy Efficiency Standards.

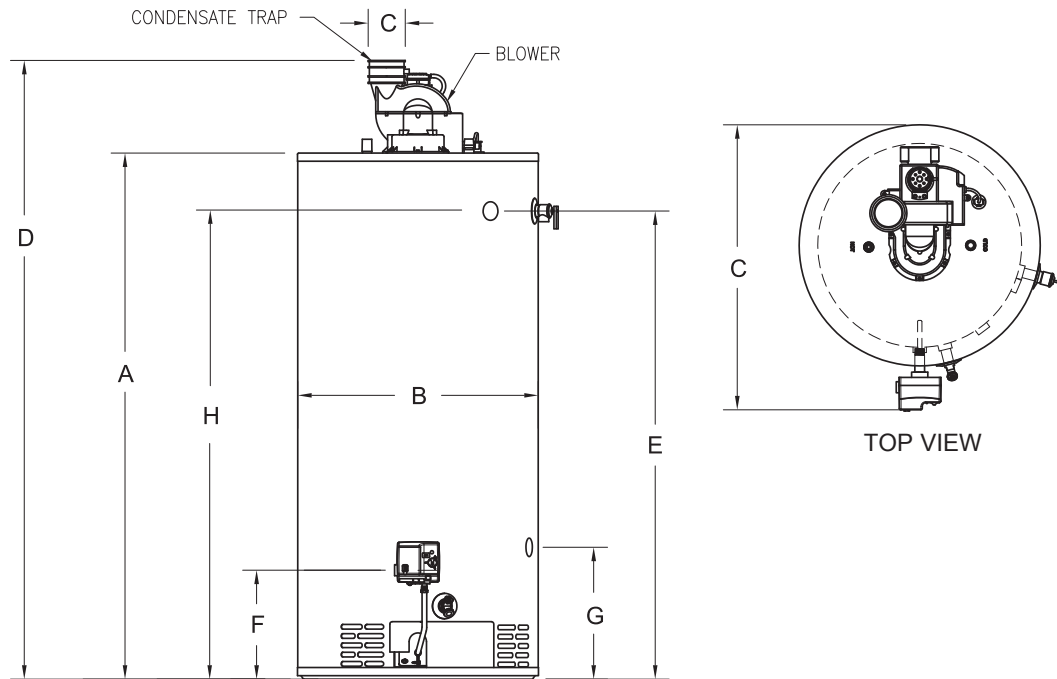
Standard Features

- **Shield Combustion System** - Corrosion resistant chamber redirects air through a stainless steel flame arrestor plate to prevent flame rollout and flammable vapor ignition. A resettable thermal switch shuts down the burner and pilot operation in the event of a flammable vapor ignition and also protects against lint, dust and oil buildup by shutting down when it detects significant air restriction.
- **Power Vented Exhaust System** - The 120 VAC blower fan exhausts the by-products of combustion directly to the outside of the building through PVC or CPVC pipe, eliminating the need for conventional chimneys or roof penetrations.
- **Side Wall or Vertical Venting** - can be vented horizontally with 2", 3" or 4" PVC, or CPVC vent pipe, depending on the model. *(See vent chart for max. vent lengths)*
- **Electronic Spark Ignition** - Eliminates nuisance pilot outages and saves fuel by eliminating the continuously burning pilot, while providing solid-state ignition.
- **Low NOx Burner** - This whisper quiet, 360° burner incorporates aluminized steel into its die-formed design. The large burner diameter transfers more heat, while providing clean and efficient combustion. Satisfies local codes and emissions standards.
- **Non-CFC Foam Insulation** - This non-CFC polyurethane closed cell foam minimizes standby losses and maximizes heat retention.
- **Glass-Lined Steel Tank** - The tank is automatically formed, rolled, and welded to ensure a continuous seam for the glass lining. The durable glass lining is fused to the interior of the tank at 1600°F to assure lasting protection against rust and corrosion while providing clean hot water.
- **Magnesium Tank Saver Anode** - High capacity anode rod provides protection from the effects of electrolytic corrosion.
- **Electronic Thermostat** - This accurate control provides an easy way to reset water temperature for best economy. Automatic over-heat safety device is standard. LED status indicator simplifies setup and adjustments.
- **Heat Trap Nipples** - Factory installed waterways reduce heat loss in piping, while providing piping convenience.
- **Side Connections for Space Heating** - select models are equipped with side tapings for space heating applications.
- **Temperature & Pressure Relief Valve**
- **Brass Drain Valve**
- **6 Year Limited Warranty***
(See warranty for details)
- **10 Year Extended Warranty Available**
(In residential applications)

* 3 year limited warranty on tank and 1 year limited warranty on Parts when installed in commercial applications



Power Vent Gas Water Heater Dimensions and Specifications:



Model Number	Natural Gas		LP Gas		1st Hr Energy Gal.	Energy Factor	A	B	C	D	E	F	G	H	Vent Size	Ship. Wt.	
	Cap. Gal.	Btu/hr Input	GPH @ 90°F Rise	Btu/hr Input													GPH @ 90°F Rise
LVN041G	40	40,000	43	38,000	41	69	0.62	46-1/2"	20"	25"	58-1/2"	40-1/2"	11-3/4"	-	-	2"	166
LVN051G	50	40,000	43	38,000	41	80	0.62	47-1/4"	22"	26-3/4"	58-1/2"	41"	11-3/4"	-	-	2"	185
LVN052G †	48	67,000	72	60,000	65	102	0.65	56-1/2"	22"	26-3/4"	63-1/4"	50-1/4"	11-3/4"	13-1/2"	50-1/4"	3"	188
LVN065G †	65	70,000	75	63,000	68	118	0.65	59-1/2"	24"	28-3/4"	66-3/4"	53-1/2"	11-3/4"	13-1/2"	53-1/2"	3"	222
LVN076 †#	75	76,000	82	75,500	81	135	N/A	59"	26"	31"	69-3/4"	51-3/4"	14"	16-1/2"	51-3/4"	3"	246

Notes: Replace "N" with "L" to indicate LP gas model
 * indicates models with 2" of polyurethane foam insulation.
 † indicates side tapping for space heating.
 # indicates no heat trap available

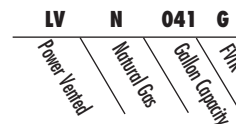
All water connections are 3/4" NPT.
 All gas connections are 1/2".

Models fired above 75,000Btu/Hr are certified to ANSI Z21.10.3 and are not required to meet the NAECA or FVIR Standard
 Performance data is based on manufacturer test results.

Max. Vent Length (Total equivalent feet)

	2"	3"	4"
LVN041G	50	120	-
LVN051G	50	120	-
LVN052G	-	60	180
LVN065G	-	60	180
LVN076 (horizontal)		50	80
LVN076 (vertical)		80	80

FOR EASE IN ORDERING BY MODEL NUMBER



This is a Power Vented, residential, natural gas 40 gallon water heater.

Certified for Potable Water and Space Heating Applications

This water heater is suitable for water heating and space heating. Toxic chemicals, such as those used for boiler water treatment shall NEVER be introduced into this system. This water heater may NEVER be connected to any existing heating system or components previously used with non-potable water heating appliances.



Lochinvar[®]
 High Efficiency Water Heaters, Boilers and Pool Heaters



Lochinvar Corporation • 300 Maddox Simpson Pkwy • Lebanon, TN 37090 • 615-889-8900 / Fax: 615-547-1000

www.Lochinvar.com