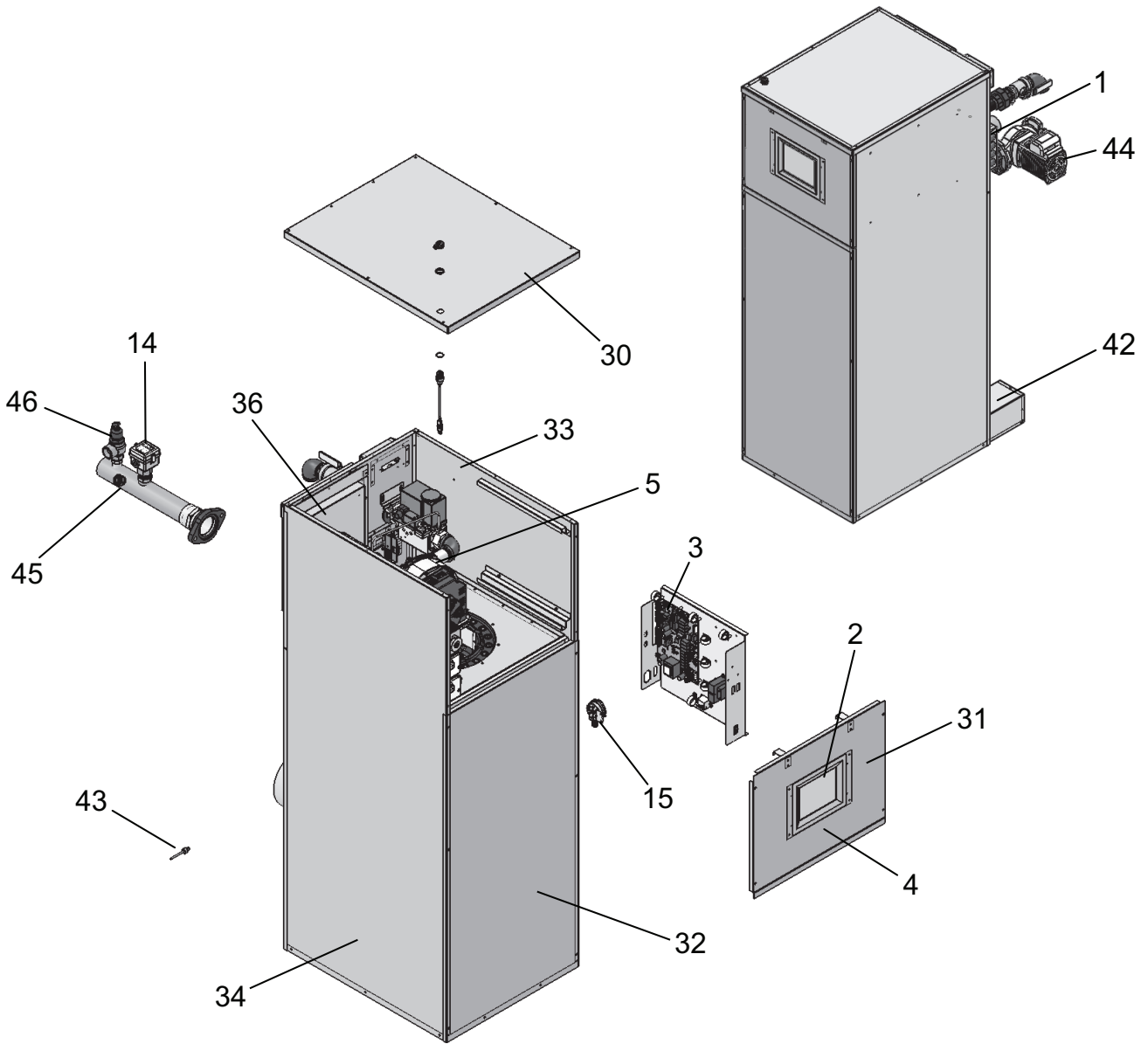




**PARTS & SERVICE DEPARTMENT**  
 Nashville, Tennessee  
 877-554-5544 • Fax: 615-882-2918  
 parts\_team@lochinvar.com  
 www.Lochinvar.com

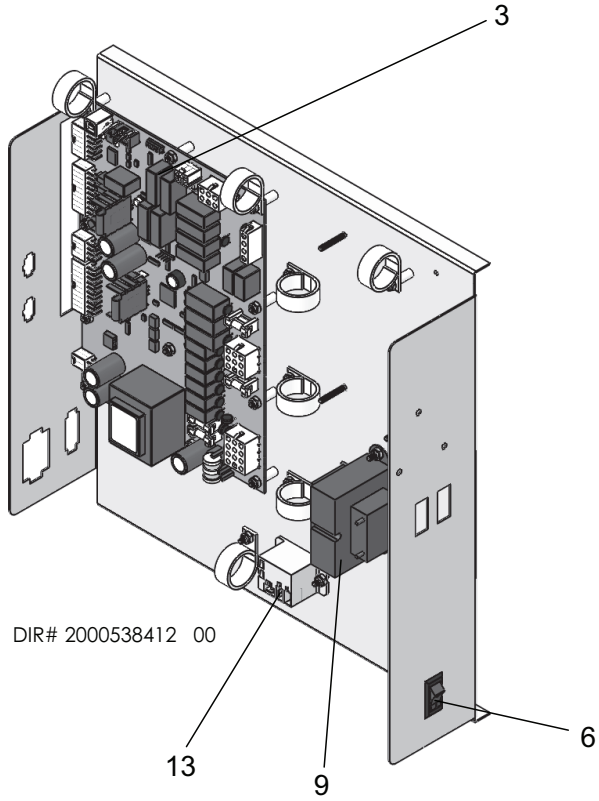
## Replacement Parts List

**Power-Fin<sup>®</sup>**  
**Heating Boilers**  
**PB/PF 502 thru 1302**  
**Beginning Serial Number: 1707104971206**

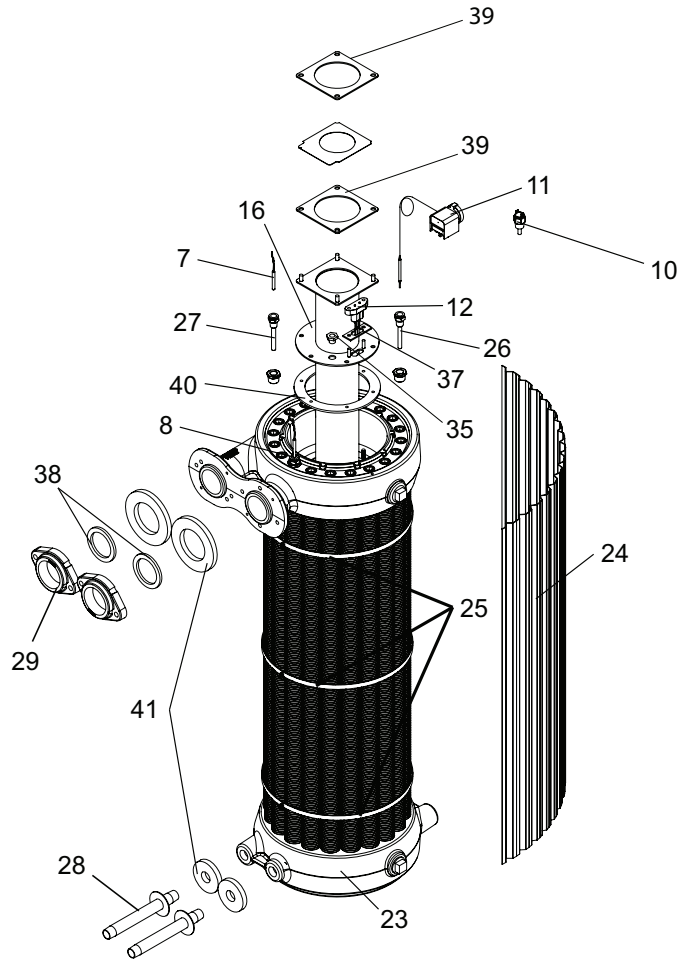


DIR# 2000538407 00

# CONTROL PANEL ASSEMBLY

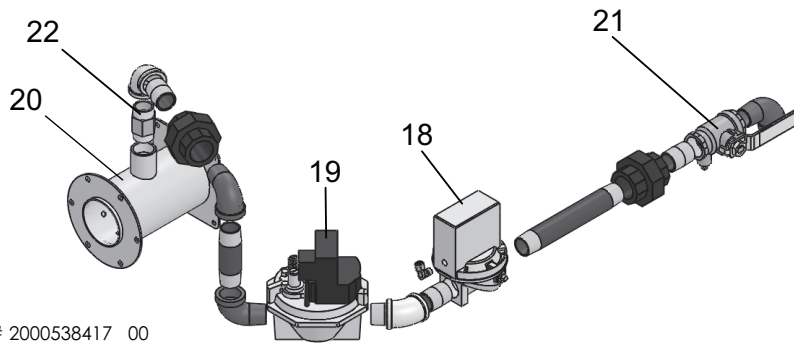


# HEAT EXCHANGER ASSEMBLY

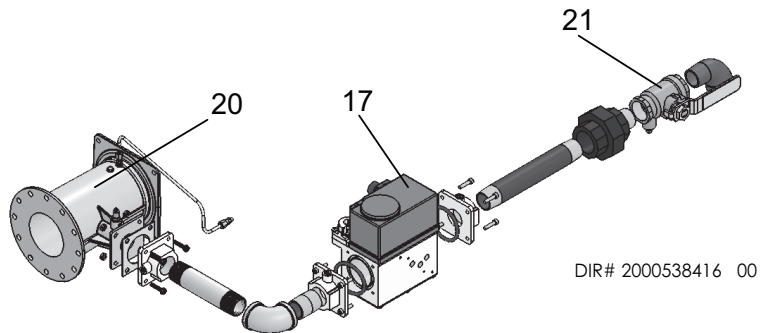


# GAS TRAIN ASSEMBLIES

**F9**



**M9**



ITEM NO.	PART NO.	DESCRIPTION	MODEL NO.
<b>CONTROLS</b>			
1	100274823	LOW VOLTAGE CONNECTION BOARD, 1 - 16	ALL
1	100208481	LOW VOLTAGE CONNECTION BOARD, 17 - 40	ALL
2	100311038	DISPLAY INTERFACE ASSEMBLY	ALL
-	100311232	GASKET, USER INTERFACE DISPLAY	ALL
3	<b>100293702*</b>	MAIN CONTROL BOARD	ALL
4	<b>100311038*</b>	COMMUNICATION CONTROL BOARD	ALL
5	100145023	COMBUSTION AIR FAN	ALL
6	100208242	ON / OFF SWITCH W/ I-O SYMBOL	ALL
7	<b>100208552*</b>	INLET SENSOR	ALL
8	<b>100208557*</b>	OUTLET SENSOR	ALL
9	100208230	TRANSFORMER, 24V, 40VA	ALL
10	100208173	THERMOSTAT, HIGH LIMIT, 200 DEGREE	PF
11	100208179	HIGH LIMIT W/ MANUAL RESET, 110-230 DEG.	ALL
12	<b>100165937*</b>	IGNITOR, HOT SURFACE	ALL
13	100208509	RELAY, 20VAC, 60HZ	ALL
14	<b>100208653*</b>	FLOW SWITCH W/ PADDLE, INDOOR	ALL
15	100288428	PRESSURE SWITCH, 7.75" WATER COLUMN	502 - LP - F9
15	100208398	PRESSURE SWITCH, 7.05" WATER COLUMN	502 - NAT - F9
15	100276801	PRESSURE SWITCH, 6.20" WATER COLUMN	752 - LP - F9
15	100208399	PRESSURE SWITCH, 5.00" WATER COLUMN	752 - NAT - F9
15	100288429	PRESSURE SWITCH, 3.90" WATER COLUMN	1002 - LP - F9
15	100208400	PRESSURE SWITCH, 3.20" WATER COLUMN	1002 - NAT - F9
15	100288430	PRESSURE SWITCH, 0.75" WATER COLUMN	1302-F9
15	100208376	PRESSURE SWITCH, 4.1" WATER COLUMN	502 - LP - M9
15	100208379	PRESSURE SWITCH, 0.95" WATER COLUMN	502 NAT & 752-1302-M9 NAT/LP
<b>GAS TRAIN ASSEMBLIES</b>			
16	100135326	BURNER ASSEMBLY	502
16	100135327	BURNER ASSEMBLY	752
16	100135328	BURNER ASSEMBLY	1002
16	100135329	BURNER ASSEMBLY	1302
17	100172027	GAS VALVE, NATURAL	502-M9 NAT
17	100172028	GAS VALVE, NATURAL	752-M9 NAT
17	100172029	GAS VALVE, NATURAL	1002-M9 NAT
17	100172030	GAS VALVE, NATURAL	1302-M9 NAT
17	100171935	GAS VALVE, LP	502-M9 LP
17	100171936	GAS VALVE, LP	752-M9 LP
17	100171937	GAS VALVE, LP	1002-M9 LP
17	100171938	GAS VALVE, LP	1302-M9 LP
18	100288502	DIAPHRAGM, GAS VALVE, 1"	502-F9 NAT & LP
18	100288503	DIAPHRAGM, GAS VALVE, 1-1/4"	752-1002-1302 - NAT & LP - F9
19	100288504	GAS VALVE, MAIN, 1", NATURAL, F9	502- NAT - F9
19	100209812	GAS VALVE, MAIN, 1", LP, F9	502 - LP - F9
19	100288506	GAS VALVE, MAIN, 1-1/4", NATURAL, F9	752-1002-1302 - NAT - F9
19	100288533	GAS VALVE, MAIN, 1-1/4", LP, F9	752-1002-1302 - LP - F9
20	100288547	VENTURI ASSEMBLY	502-M9
20	100288548	VENTURI ASSEMBLY	752-1002-M9
20	100288532	VENTURI ASSEMBLY	1302-M9
20	100290421	VENTURI ASSEMBLY	ALL F9
21	100288546	GAS CUT OFF VALVE 1"	ALL 502
21	100294593	1-1/4" GAS SHUT-OFF VALVE W/ TAP	752-1002-F9 & 752-1002-1302-M9
22	100288413	ORIFICE, BURNER	502 - NAT - F9
22	100288414	ORIFICE, BURNER	752 - NAT - F9
22	100288415	ORIFICE, BURNER	1002 - NAT - F9
22	100288417	ORIFICE, BURNER	1302 - NAT - F9
22	100288418	ORIFICE, BURNER	502 - LP- F9
22	100288420	ORIFICE, BURNER	752 - LP - F9
22	100288421	ORIFICE, BURNER	1002 - LP - F9
22	100288422	ORIFICE, BURNER	1302 - LP - F9
<b>HEAT EXCHANGER ASSEMBLIES</b>			
23	100147510	HEAT EXCHANGER, HLW STAMP, 500MBH	PF 502
23	100147518	HEAT EXCHANGER, H STAMP, 500MBH	PB 502
23	100147511	HEAT EXCHANGER, HLW STAMP, 750MBH	PF 752
PLEASE HAVE MODEL NUMBER AND SERIAL NUMBER WHEN ORDERING PARTS *ITEMS DENOTE SUGGESTED INVENTORY PARTS			

ITEM NO.	PART NO.	DESCRIPTION	MODEL NO.
<b>HEAT EXCHANGER ASSEMBLIES (CONTINUED)</b>			
23	100147519	HEAT EXCHANGER, H STAMP, 750MBH	PB 752
23	100147512	HEAT EXCHANGER, HLW STAMP, 1000MBH	PF 1002
23	100147520	HEAT EXCHANGER, H STAMP, 1000MBH	PB 1002
23	100147513	HEAT EXCHANGER, HLW STAMP, 1300MBH	PF 1302
23	100147521	HEAT EXCHANGER, H STAMP, 1300MBH	PB 1302
24	100153830	V BAFFLE (20 REQ.)	502
24	100153831	V BAFFLE (20 REQ.)	752
24	100208235	V BAFFLE (20 REQ.)	1002
24	100290393	V BAFFLE (20 REQ.)	1302
25	100163266	V BAFFLE STRAP	ALL
26	<b>100233613*</b>	HIGH LIMIT THERMOSTAT BULB WELL, 3/8 NPT	ALL
27	<b>100233695*</b>	HIGH LIMIT THERMOSTAT BULB WELL, 3/8 NPT	ALL
28	100294597	DRAIN PIPE ASSEMBLY	PB
28	100294598	DRAIN PIPE ASSEMBLY	PF
29	100288538	HEAT EXCHANGER FLANGE	ALL
<b>JACKET/DOOR ASSEMBLIES</b>			
30	100272259	JACKET TOP	ALL
31	100272283	JACKET, OUTER FRONT UPPER	ALL
32	100272290	JACKET, OUTER FRONT LOWER	502
32	100274702	JACKET, OUTER FRONT LOWER	752
32	100274875	JACKET, OUTER FRONT LOWER	1002
32	100274953	JACKET, OUTER FRONT LOWER	1302
33	100272281	JACKET, OUTER RIGHT	502
33	100274690	JACKET, OUTER RIGHT	752
33	100274853	JACKET, OUTER RIGHT	1002
33	100274935	JACKET, OUTER RIGHT	1302
34	100272260	JACKET, OUTER LEFT	502
34	100274689	JACKET, OUTER LEFT	752
34	100274873	JACKET, OUTER LEFT	1002
34	100274936	JACKET, OUTER LEFT	1302
<b>MISCELLANEOUS</b>			
35	100208332	SIGHT GLASS, BURNER	ALL
36	<b>100208064*</b>	AIR FILTER, 1" X 16" X 12"	ALL
37	100208087	GASKET, IGNITOR	ALL
38	100233690	GASKET, FLANGE	ALL
39	<b>100208089*</b>	GASKET, FAN / VENTURI	ALL
40	<b>100208096*</b>	HEX GASKET, BURNER	ALL
41	100208109	HEX GASKET, DIVIDER PANEL	ALL
42	<b>100208337*</b>	CONDENSATE TRAP	ALL
43	<b>100170647*</b>	SENSOR, FLUE	ALL
44	100166433	PUMP ASSEMBLY FOR WATER HEATER, STANDARD, 2/5HP, 2-1/2" FLG, BRZ	ALL PF
44	100287831	PUMP ASSEMBLY FOR WATER HEATER, UPSIZED, 1-1/2 HP, 2" FLG, BRZ	ALL PF
44	100166406	PUMP ASSEMBLY FOR BOILER, 1/2 HP, 2" FLG, CAST (OPTIONAL)	ALL PB
45	<b>100208152*</b>	GAUGE TRIOMETER, 75 PSI	PB
46	100208442	PRESSURE RELIEF VALVE, 3/4", 50 PSI	PB 502-1002
46	100208448	PRESSURE RELIEF VALVE, 1" X 1-1/4", 50 PSI	PB 1302
46	100208444	T&P RELIEF VALVE, 3/4", 150 PSI	PF
-	100208666	LOW WATER CUT-OFF, MANUAL RESET (OPTIONAL) PRIOR TO H08H00211095	ALL
-	100173747	LOW WATER CUT-OFF, MANUAL RESET (OPTIONAL) BEGINNING H08H00211095	ALL
-	100208665	LOW WATER CUT-OFF, AUTO RESET (OPTIONAL) PRIOR TO H08H00211095	ALL
-	100173748	LOW WATER CUT-OFF, AUTO RESET (OPTIONAL) BEGINNING H08H00211095	ALL
-	100208662	LOW WATER CUT-OFF PROBE (OPTIONAL)	ALL
-	100277801	LOW WATER CUT-OFF BOOT (OPTIONAL)	ALL
-	<b>100208231*</b>	FUSE, 3.15A / 250V	ALL
-	<b>100208232*</b>	FUSE, 5A / 250V	ALL
-	<b>100208809*</b>	FUSE, 1.6A / 250V	ALL
-	100277822	GASKET, JACKET	ALL
-	<b>100146588*</b>	GASKET, PVC - 1/4" X 5/8" BLACK	ALL
-	100208834	KIT, OUTDOOR AIR RESET	ALL
-	100157739	KIT, ALARM ON ANY FAILURE WITH BELL	ALL
-	100157740	KIT, MANUAL RESET LOW WATER CUTOFF PRIOR TO H08H00211095	ALL
-	100157607	KIT, MANUAL RESET LOW WATER CUTOFF BEGINNING H08H00211095	ALL

PLEASE HAVE MODEL NUMBER AND SERIAL NUMBER WHEN ORDERING PARTS  
\*ITEMS DENOTE SUGGESTED INVENTORY PARTS