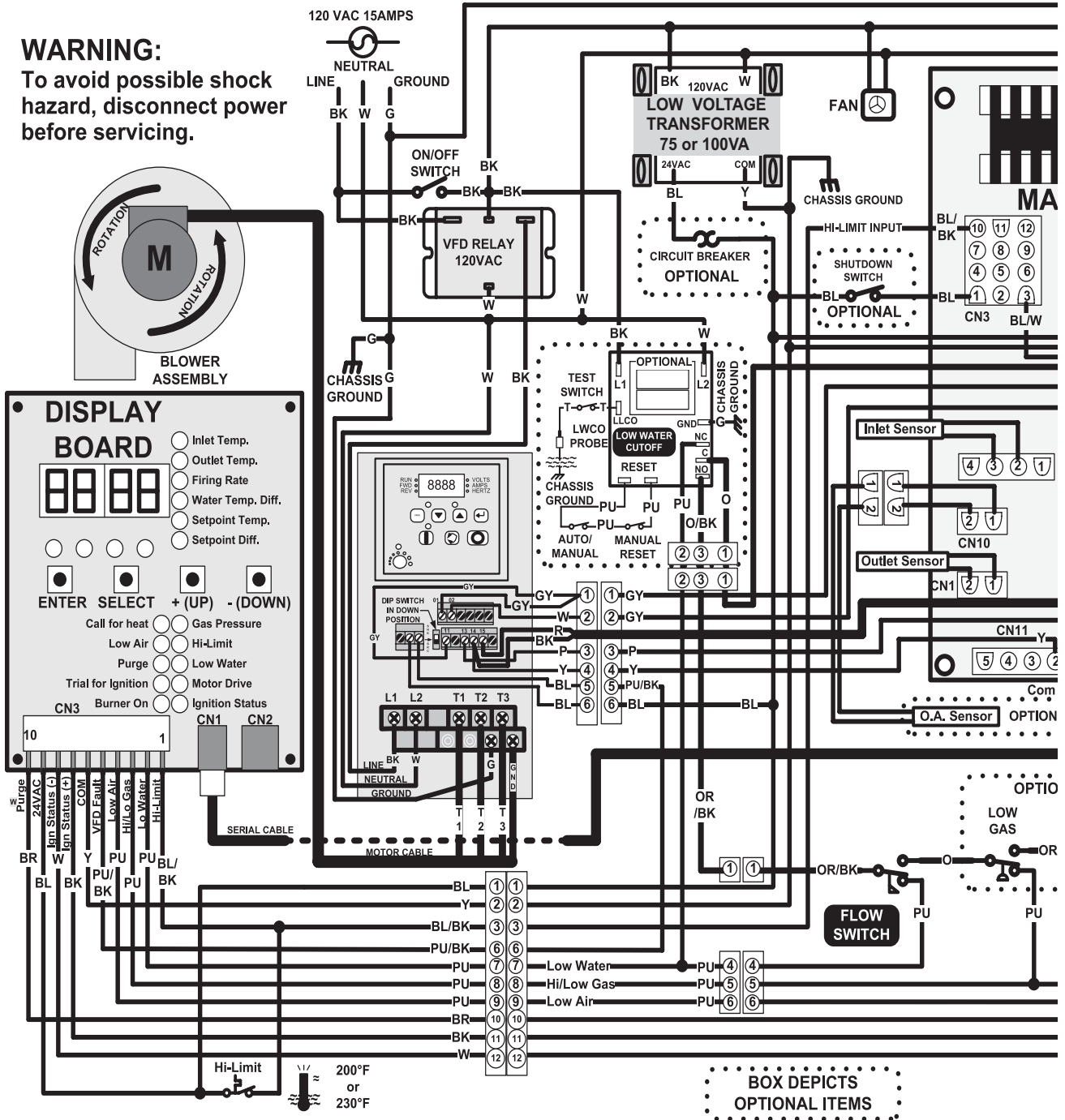


Wiring Diagram

1,500,000, 1,700,000 and 2,000,000 Btu/hr Models

WARNING:

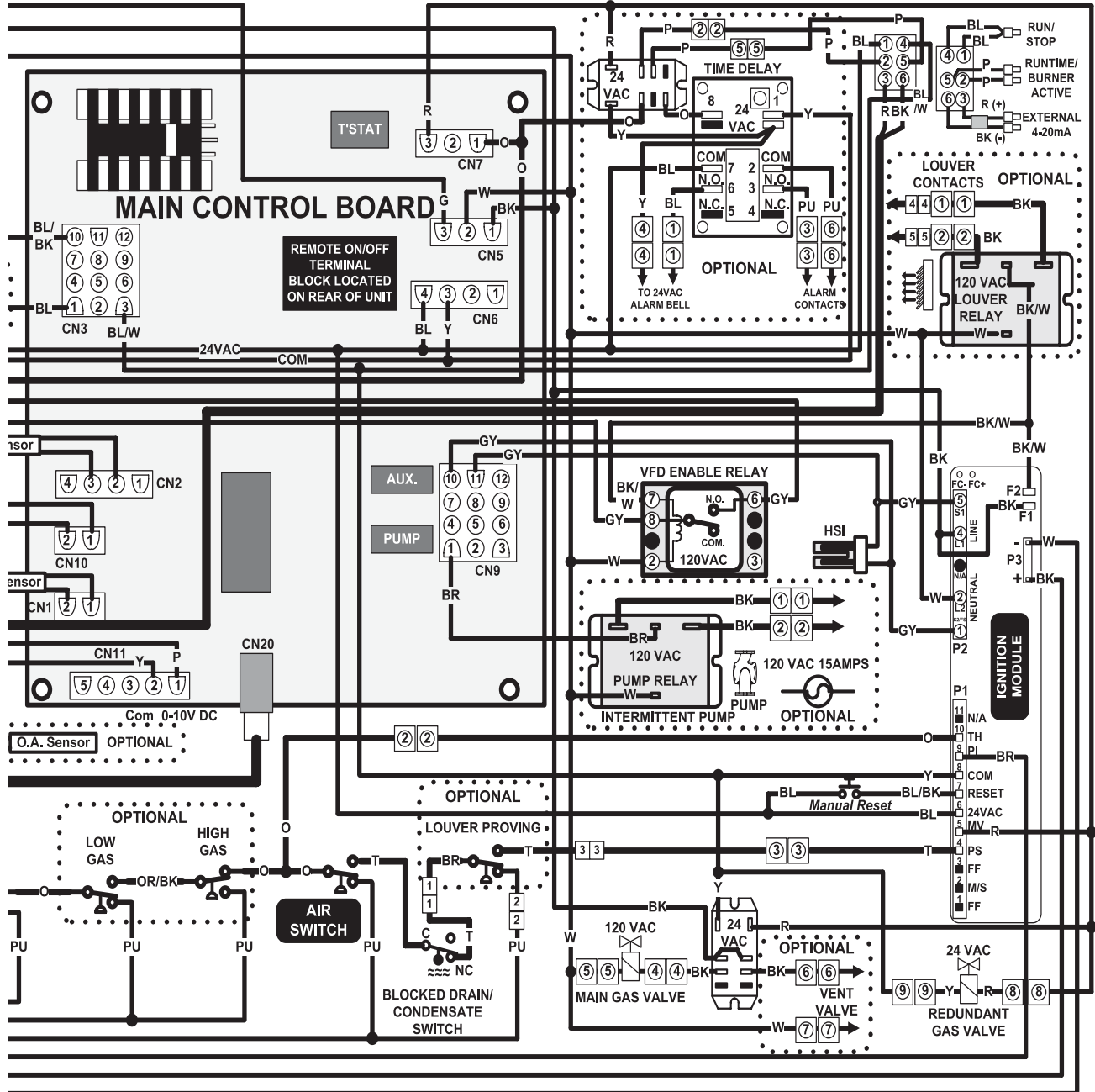
To avoid possible shock hazard, disconnect power before servicing.



Wiring Diagram

(continued)

1,500,000, 1,700,000 and 2,000,000 Btu/hr Models



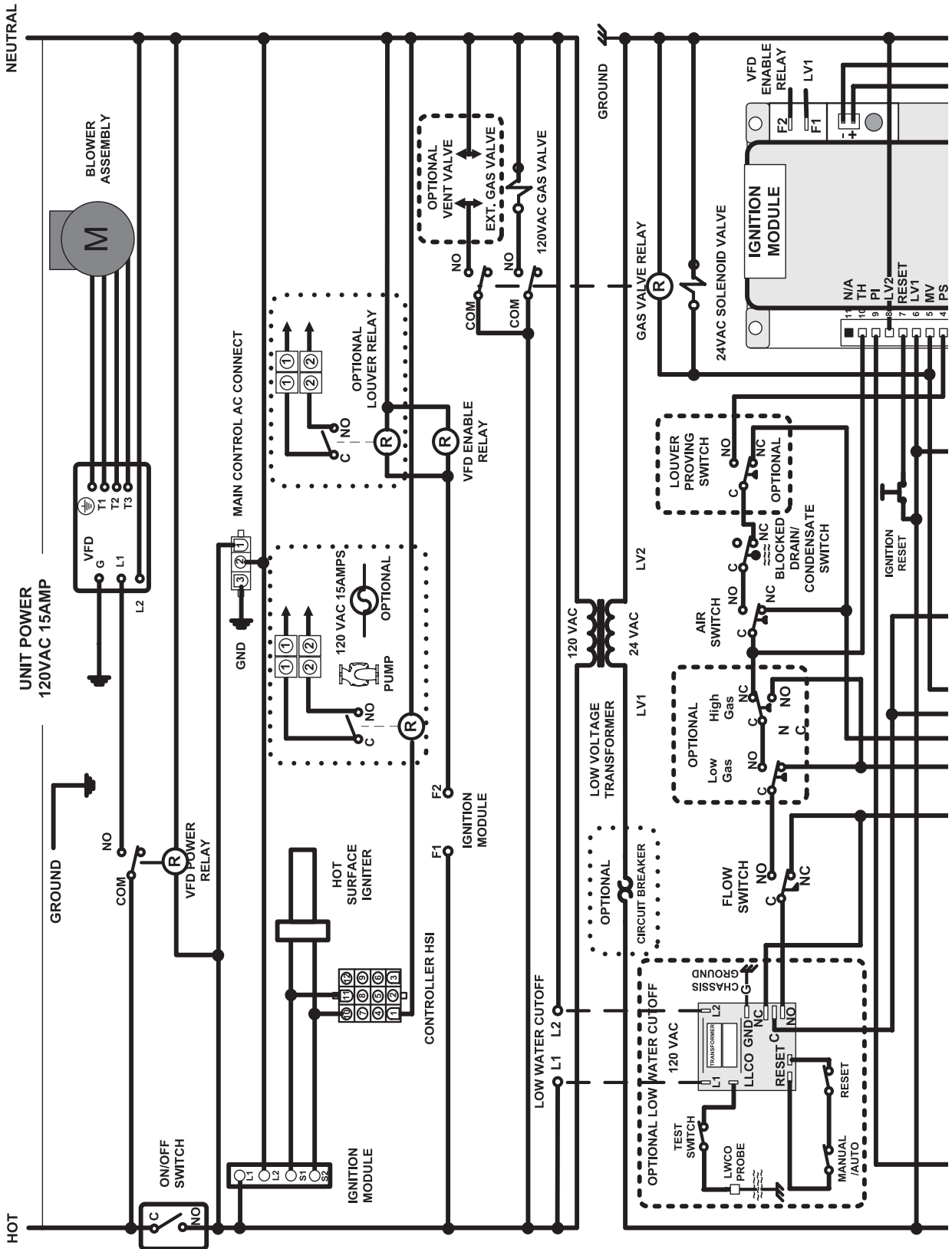
NOTES:

- (1) Diagram is wiring/schematic diagram.
- (2) When replacing wiring, use wire of equal or higher temperature and gage.
- (3) Pump delay is standard on water heaters.

**1500-2000MBTU
LBL2137 REV F**

Ladder Diagram

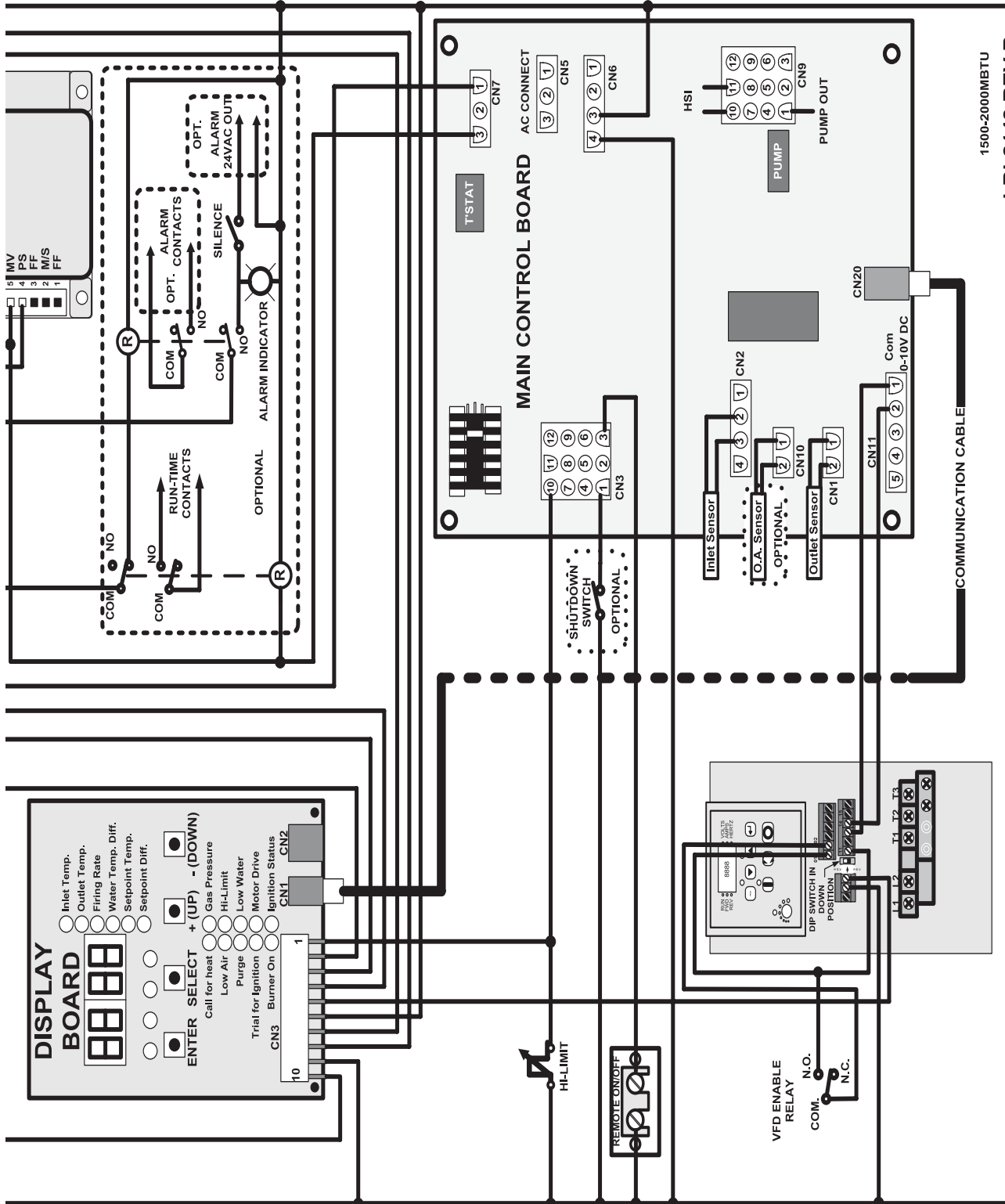
1,500,000, 1,700,000 and 2,000,000 Btu/hr Models



Ladder Diagram

(continued)

1,500,000, 1,700,000 and 2,000,000 Btu/hr Models



1500-2000MBTU
LBL2148 REV B