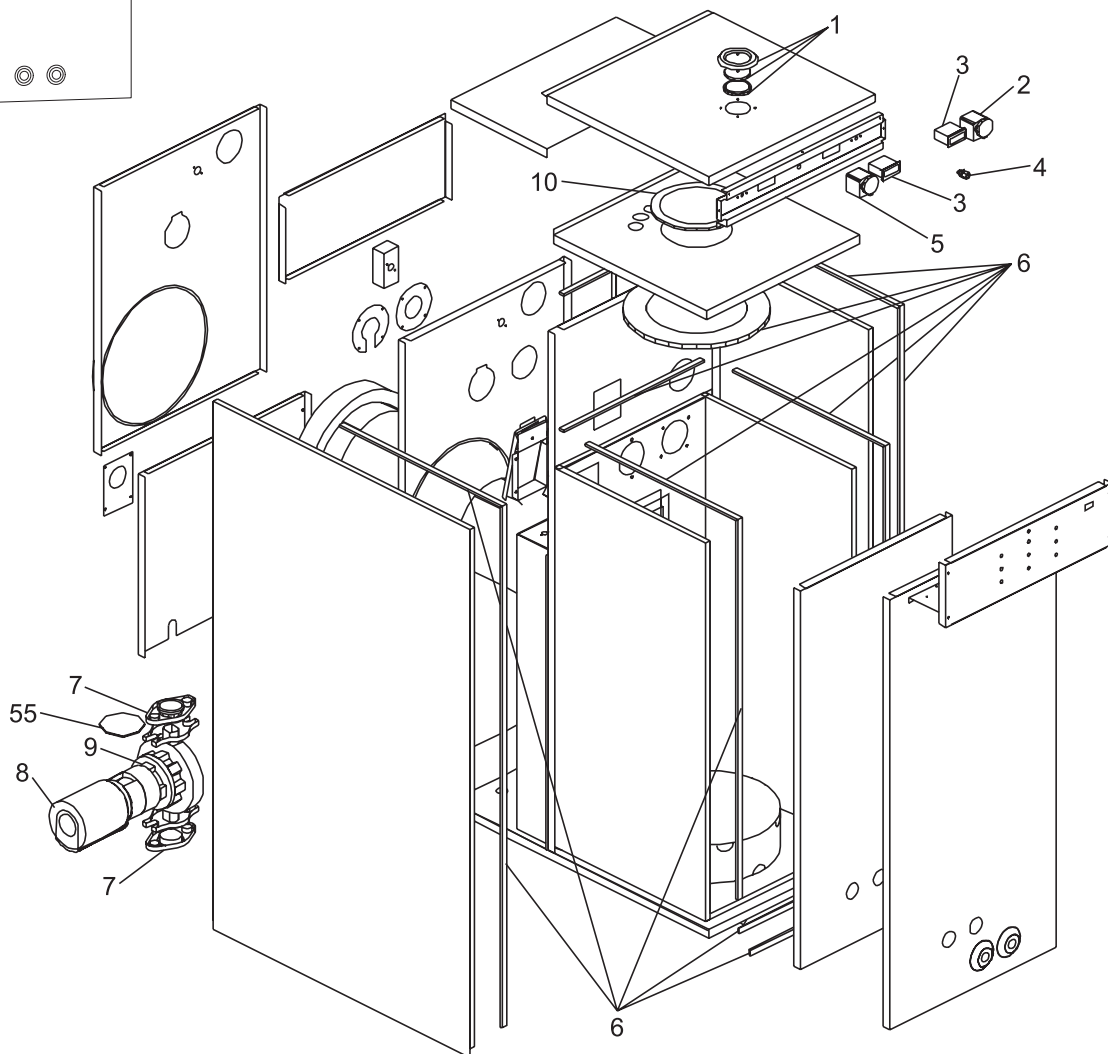
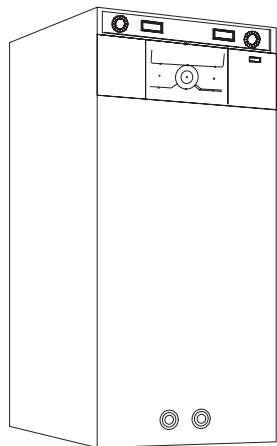


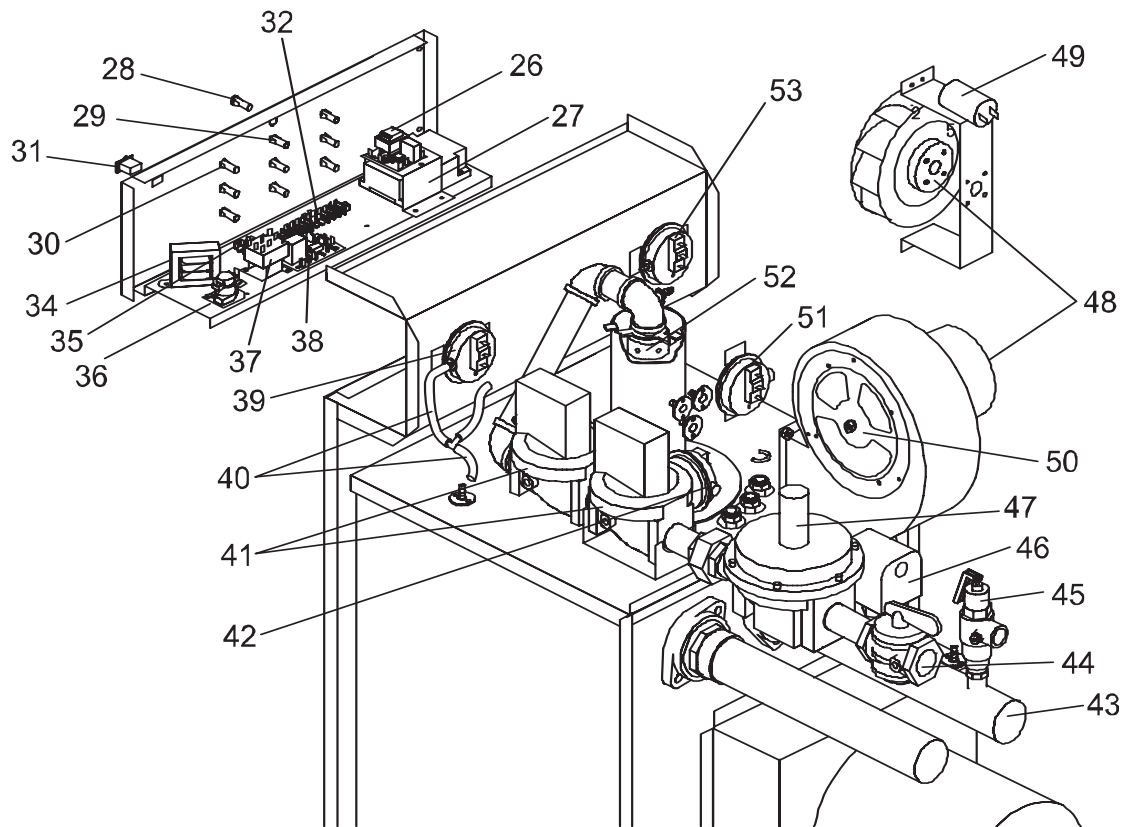
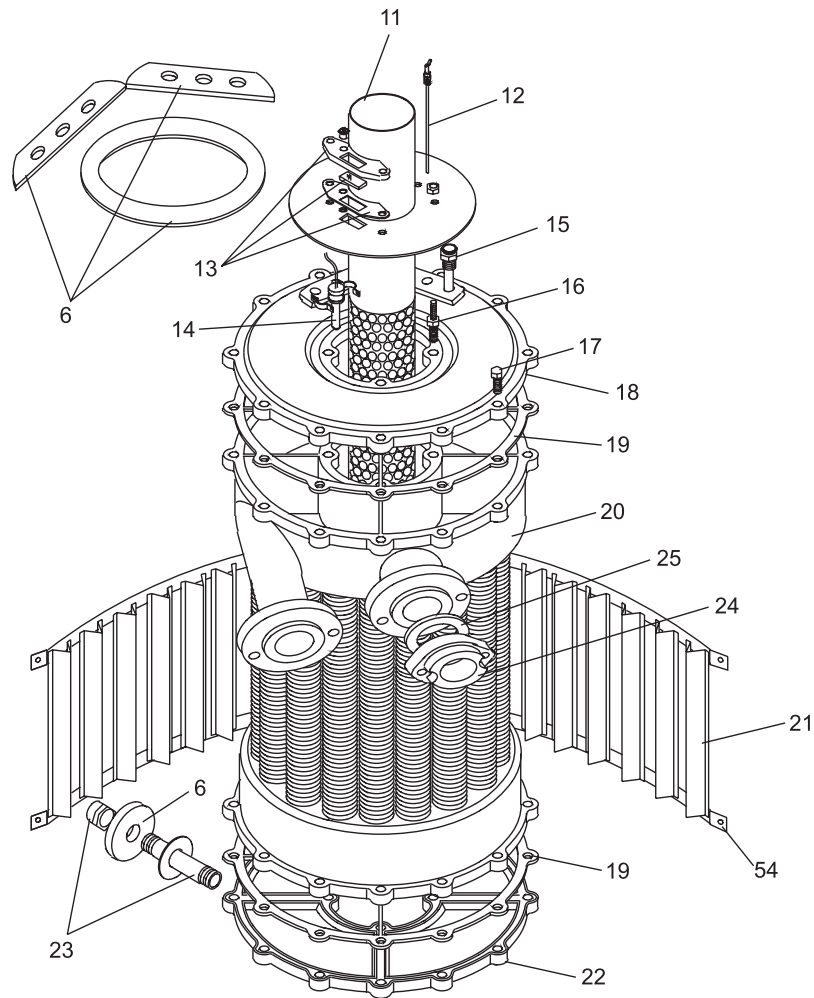


**PARTS & SERVICE DEPARTMENT**  
 Nashville, Tennessee  
 615-889-8900 / Fax: 615-547-1000  
 www.Lochinvar.com

**Replacement Parts List**

**Power-Fin®**  
**Heating Boilers & Hot Water Supply Boilers**  
**PB/PF 250 thru 1000**





ITEM NO.	PART NO.	DESCRIPTION	MODEL NO.
<b>CONTROLS &amp; GAUGES</b>			
2	TST2701	THERMOSTAT, OPERATOR	ALL
3	GTP2701	THERMOMETER, DRUM	ALL
5	HLC2701	THERMOSTAT, HI LIMIT	ALL
5	HLC2702	THERMOSTAT, HI LIMIT W/ MANUAL RESET	ALL
12	RLY2705	FLAME ROD	ALL
14	PLT2702	IGNITOR, HOT SURFACE	ALL
27	RLY2704	MODULE, IGNITION	ALL
32	MSC2906	TERMINAL BLOCK	ALL
33	PAN3300	CONTROL PANEL, COMPLETE	ALL
34	TRF2005	TRANSFORMER (75VA)	ALL
35	MSC2910	TERMINAL BLOCK	ALL
36	RLY2707	RELAY, POST PURGE	ALL
37	RLY2042	RELAY, FAN SWITCH	ALL
38	RLY2714	RELAY, PRE-PURGE	ALL
--	RLY2714	PUMP DELAY RELAY (Std. After Serial # L01)	PF
39	PRS2704	SWITCH, BLOCKED DRAIN	ALL
45	RLV2001	RELIEF VALVE, PRESSURE ONLY	PB
45	RLV2007	RELIEF VALVE, TEMPERATURE & PRESSURE	ALL
46	WTR2040	FLOW SWITCH	ALL
51	PRS2708	SWITCH, BLOCKED FLUE	ALL
53	PRS2705	SWITCH, LOW AIR	250
53	PRS2706	SWITCH, LOW AIR	500
53	PRS2709	SWITCH, LOW AIR	750
53	PRS2707	SWITCH, LOW AIR	1000
<b>GAS TRAIN ASSEMBLIES</b>			
11	BNR3700	BURNER, COMPLETE	250
11	BNR3701	BURNER, COMPLETE	500
11	BNR3707*	BURNER, COMPLETE (TO SERIAL # C891809)	750
11	BNR3707	BURNER, COMPLETE (AFTER SERIAL # C891809)	750
11	BNR3709*	BURNER, COMPLETE (TO SERIAL # C891809)	1000
11	BNR3709	BURNER, COMPLETE (AFTER SERIAL # C891809)	1000
41	VAL2017	VALVE, GAS	250
41	VAL2017	VALVE, GAS (TO SERIAL # A888270)	500
41	VAL2018	VALVE, GAS (AFTER SERIAL # A888270)	500
41	VAL2018	VALVE, GAS (TO SERIAL # A888270)	750
41	VAL2019	VALVE, GAS (AFTER SERIAL # A888270)	750
41	VAL2019	VALVE, GAS (TO SERIAL # A888270)	1000
41	VAL2044	VALVE, GAS (AFTER SERIAL # A888270)	1000
42	PRS2702	SWITCH, LOW GAS NAT.	ALL NAT.
42	PRS2043	SWITCH, LOW GAS LPG.	ALL LPG.
44	GAC2028	GAS COCK	250
44	GAC2028	GAS COCK (TO SERIAL # A888270)	500
44	GAC2029	GAS COCK (AFTER SERIAL # A888270)	500
44	GAC2029	GAS COCK (TO SERIAL # A888270)	750
44	GAC2030	GAS COCK (AFTER SERIAL # A888270)	750
44	GAS2030	GAS COCK (TO SERIAL # A888270)	1000
44	GAC2031	GAS COCK (AFTER SERIAL # A888270)	1000
47	PRV2011	REGULATOR, GAS PRESSURE NAT	250
47	PRV2011	REG. GAS PRESSURE NAT. (TO SERIAL # A891425)	500
47	PRV2012	REG. GAS PRESSURE NAT. (AFTER SERIAL # A891425)	500
47	PRV2012	REG. GAS PRESSURE NAT. (TO SERIAL # A891425)	750
47	PRV2013	REG. GAS PRESSURE NAT. (AFTER SERIAL # A891425)	750
47	PRV2013	REG. GAS PRESSURE NAT. (TO SERIAL # A891425)	1000
47	PRV2016	REG. GAS PRESSURE NAT. (AFTER SERIAL # A891425)	1000
47	PRV2001	REG. GAS PRESSURE LPG.	250
47	PRV2001	REG. GAS PRESSURE LPG. (TO SERIAL # A891425)	500
47	PRV2002	REG. GAS PRESSURE LPG. (AFTER SERIAL # A891425)	500
47	PRV2002	REG. GAS PRESSURE LPG. (TO SERIAL # A891425)	750
47	PRV2003	REG. GAS PRESSURE LPG. (AFTER SERIAL # A891425)	750
47	PRV2003	REG. GAS PRESSURE LPG. (TO SERIAL # A891425)	1000
47	PRV2006	REG. GAS PRESSURE LPG. (AFTER SERIAL # A891425)	1000
52	ORF2701	ORIFICE, BURNER NAT.	250
52	ORF2702	ORIFICE, BURNER NAT.	500
52	ORF2703	ORIFICE, BURNER NAT. (TO SERIAL # A891425)	750
52	ORF2723	ORIFICE, BURNER NAT. (AFTER SERIAL # A891425)	750
52	ORF2704	ORIFICE, BURNER NAT. (TO SERIAL # A891425)	1000
52	ORF2724	ORIFICE, BURNER NAT. (AFTER SERIAL # A891425)	1000
52	ORF2705	ORIFICE, BURNER LPG.	250
52	ORF2706	ORIFICE, BURNER LPG.	500
52	ORF0000†	ORIFICE, BURNER LPG. (TO SERIAL # A891425)	750 & 1000
52	ORF2727	ORIFICE, BURNER LPG. (AFTER SERIAL # A891425)	750
52	ORF2728	ORIFICE, BURNER LPG. (AFTER SERIAL # A891425)	1000
17	BLT2002	BOLT, HEADER	ALL
18	WTR4701	HEADER, TOP PLATE	ALL
19	GKT2721	GASKET, HEADER	ALL

\*ORDER ITEM NO. 48 - FAN KIT WHEN REPLACING THIS BURNER.

†CONSULT FACTORY

NOTE: PB = BOILER & PF = WATER HEATER

ITEM NO.	PART NO.	DESCRIPTION	MODEL NO.
<b>HEAT EXCHANGER</b>			
20	HEX3701	HEAT EXCHANGER (PF BEFORE SERIAL #F00 & ALL PB)	250
20	HEX3702	HEAT EXCHANGER (PF BEFORE SERIAL #F00 & ALL PB)	500
20	HEX3703	HEAT EXCHANGER (PF BEFORE SERIAL #F00 & ALL PB)	750
20	HEX3704	HEAT EXCHANGER (PF BEFORE SERIAL #F00 & ALL PB)	1000
20	HEX3020	HEAT EXCHANGER (PF AFTER SERIAL #F00)	250
20	HEX3021	HEAT EXCHANGER (PF AFTER SERIAL #F00)	500
20	HEX3022	HEAT EXCHANGER (PF AFTER SERIAL #F00)	750
20	HEX3023	HEAT EXCHANGER (PF AFTER SERIAL #F00)	1000
21	JKP2541	V BAFFLE (20 REQ.)	250
21	JKP2542	V BAFFLE (20 REQ.)	500
21	JKP2543	V BAFFLE (20 REQ.)	750
21	JKP2544	V BAFFLE (20 REQ.)	1000
22	WTR3702	HEADER, BOTTOM PLATE	ALL
54	MSC3705	V BAFFLE RETAINER (2 REQ.)	ALL
<b>MISCELLANEOUS</b>			
1	MSC3700	SIGHT GLASS KIT, RING	ALL
4	VAL2001	FITTING, BRASS GAS PRESSURE	ALL
6	GKT3700	GASKET KIT, COMPLETE	ALL
7	ARM1009	FLANGE, ONLY 2"	PF
8	ARM3022PBF	PUMP (Before Serial # L01)	PF
8	ARM3022PAB	PUMP (After Serial #L01, Standard)	PF
9	ARM1001	SEAL, PUMP	PF
10	GKT2702	GASKET, BURNER	ALL
13	MSC3701	SIGHT KIT, BURNER	ALL
15	TST2301	BULB WELL, THERMOSTAT	ALL
16	BLT2701	BOLT, TOP BURNER MOUNTING	ALL
23	DRV3827	NIPPLE ASSEMBLY AND CAPS	ALL
24	WTR3715	FLANGE 2"	ALL
25	GKT2707	GASKET, FLANGE	ALL
28	MSC2029	LIGHT, CLEAR 24V	ALL
29	MSC2023	LIGHT, AMBER 120V	ALL
30	MSC2026	LIGHT, RED 24V	ALL
30	MSC2027	LIGHT, AMBER 24V	ALL
30	MSC2028	LIGHT, GREEN 24V	ALL
31	MSC2017	SWITCH, ROCKER AMBER	ALL
40	MSC3702	HOSE KIT, EPDM TUBING	ALL
43	CPR4100	PIPE, COPPER OUTLET	ALL
48	FAN2701	FAN (LESS CAPACITOR)	250
48	FAN3711	FAN	500
48	FAN3702*	FAN KIT NAT. (TO SERIAL # A891425)	750
48	FAN3706*	FAN KIT LPG. (TO SERIAL # A891425)	750
48	FAN3703*	FAN KIT NAT. (TO SERIAL # A891425)	1000
48	FAN3707*	FAN KIT LPG. (TO SERIAL # A891425)	1000
48	FAN2714	FAN COMPLETE, ALL (AFTER SERIAL # A891425)	750 & 1000
49	FAN2703	CAPACITOR, FAN 7.5mf	250
49	FAN2709	CAPACITOR, FAN 12.5mf (AFTER SERIAL # D004794)	500
50	MSC3730	AIR SHUTTER, FAN	250 & 500
50	JKP6624	AIR SHUTTER, FAN	750
50	JKP6625	AIR SHUTTER, FAN	1000
55	ARM1013	GASKET, FLANGE 2"	PF
--	JKP2540	DOOR, RELIEF PORT (TO SERIAL # I914015)	ALL
--	JKP6630	DOOR, RELIEF PORT (AFTER SERIAL # I914015)	ALL
<b>OPTIONAL EQUIPMENT</b>			
--	HLC2702	HI LIMIT, MANUAL RESET	ALL
--	TRF2701	TRANSFORMER F 14 SYSTEM (150VA)	ALL
--	PRS2043	SWITCH, HIGH GAS PRESSURE F 14 SYSTEM	ALL
--	VAL2014	VALVE, VENT F 14 SYSTEM	ALL
--	VAL2032	VALVE, AUXILLARY	250 & 500
--	VAL2031	VALVE, AUXILLARY F 14 SYSTEM	750
--	VAL2034	VALVE, AUXILLARY F 14 SYSTEM	1000
--	VAL2032	VALVE, SOLENOID GAS F 14 SYSTEM	500
--	VAL2031	VALVE, SOLENOID GAS F 14 SYSTEM	750
--	PRS2041	SWITCH, HIGH GAS PRESSURE F 14-F5 SYSTEM	ALL
--	MSC2903	BLOCK, TERMINAL (FOR OPTIONAL CONTROLS)	ALL
--	MSC2018	SWITCH, TOGGLE (FOR ALARM BELL)	ALL
--	RLY2042	RELAY, FLAME FAILURE ALARM	ALL
--	MSC2527	SWITCH, TOGGLE F5 SYSTEM	ALL
--	MSC2510	BELL, ALARM	ALL
26	WTR2528	LOW WATER CUT OFF	ALL
--	WTR2532	PROBE, LOW WATER CUT OFF	ALL
--	PRS2700	SWITCH, HIGH WATER PRESSURE F5 SYSTEM	ALL

**ORDER ITEM NO. 11 WHEN REPLACING WITH THIS FAN KIT  
PLEASE: HAVE MODEL NUMBER AND SERIAL NUMBER WHEN ORDERING PARTS**