



Pump Specifications

POWER-fin®

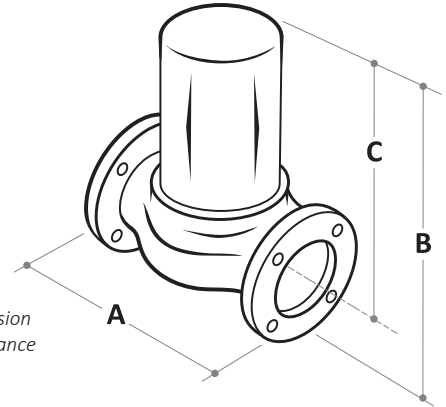


Illustration is to clarify dimension locations only. Actual appearance of pump will differ.

Appliance Pump Data

MODEL NO.	PART NUMBER	HP	FLANGE SIZE	PUMP MAT'L	VENDOR / PRODUCT SERIES	A" WIDTH	B" DEPTH	C" C/L FLANGE TO BACK
PB 502-1302	100166406	1/2	2"	Bronze Fitted	Taco/2400-70-2	8.5	9.88	7.25
PF 502-1302	100166433	2/5	2"	Bronze Fitted	Armstrong/E-Series	8.38	10.95	8.36
PB 1501-2001	100133623	3/4	2-1/2"	Bronze Fitted	Armstrong/2B1050	11.5	20	16.5
PF 1501-2001	100133622	3/4	2-1/2"	Bronze Fitted	Armstrong/2B1050	11.5	20	16.5

NOTICE: Pump sizing and flow requirements are based on max. of 45 ft. of straight piping, (6) 90° elbows, (2) unions, (2) ball valves, and (1) cold water inlet tee.

System Temperature Rise Charts: WATER HEATER - PF Models

MODEL	TEMPERATURE RISE	WATER FLOW RATE
502	11°F	75 GPM
752	17°F	75 GPM
1002	23°F	75 GPM
1302	30°F	75 GPM

MODEL	TEMPERATURE RISE	WATER FLOW RATE
1501	28°F	90 GPM
1701	32°F	90 GPM
2001	38°F	90 GPM

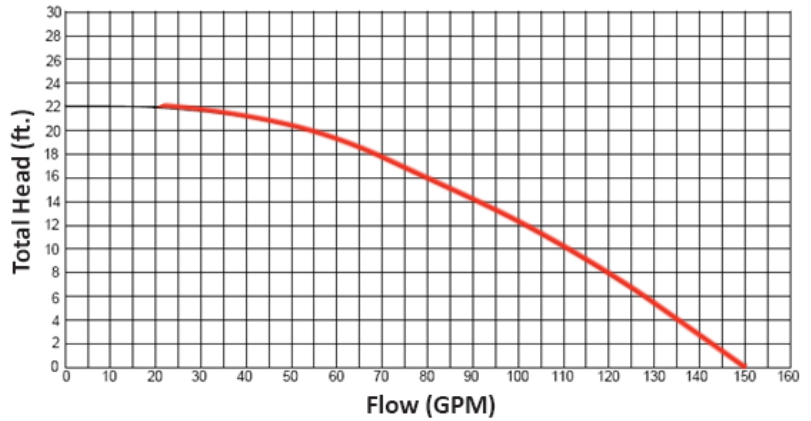
System Temperature Rise Chart: BOILER - PB Models (Based on Input in btu/hr)

BTU/HR		30°F ΔT		35°F ΔT		40°F ΔT		45°F ΔT		50°F ΔT		55°F ΔT		60°F ΔT	
INPUT	OUTPUT	GPM	Ft/HD	GPM	Ft/HD	GPM	Ft/HD	GPM	Ft/HD	GPM	Ft/HD	GPM	Ft/HD	GPM	Ft/HD
500,000	435,000	29.0	0.9	24.9	0.7	21.8	0.5	19.3	0.4	17.4	0.3	15.8	0.2	14.5	0.1
750,000	652,500	43.5	2.1	37.3	1.8	2.6	1.3	29.0	1.0	26.1	0.8	23.7	0.7	21.8	0.6
1,000,000	870,000	58.0	4.8	49.7	3.3	43.5	2.4	38.7	2.0	34.8	1.6	1.6	1.2	29.0	1.1
1,300,000	1,131,000	75.4	9.8	64.7	6.9	56.6	4.6	50.3	3.6	45.3	2.9	41.1	2.2	37.7	1.9
1,500,000	1,275,000	87.9	9.8	75.3	7.7	65.9	6.3	58.6	5.2	52.9	4.2	47.9	3.3	43.9	2.7
1,700,000	1,445,000	99.6*	14.1	85.4	10.2	74.7	7.9	66.4	6.5	59.8	5.3	54.3	4.6	49.8	3.9
1,999,000	1,700,000	117.2*	20.2	100.4*	14.9	87.9	11.9	78.1	9.2	70.3	7.2	63.9	6.4	58.6	5.2

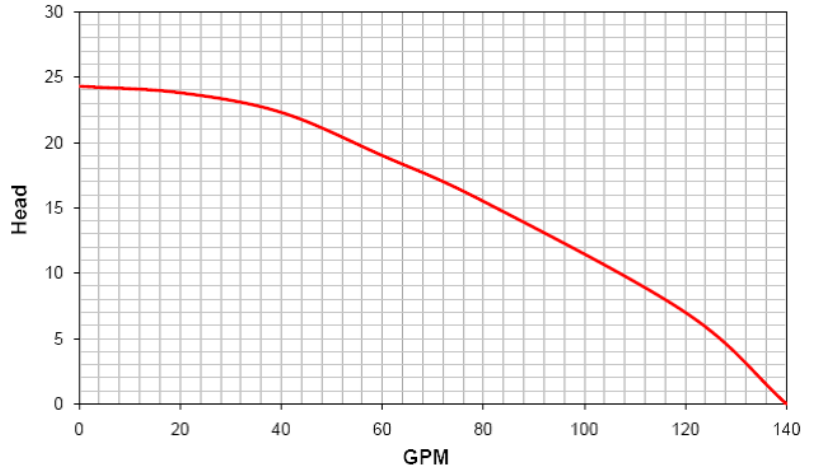
* These foot head calculations exceed the maximum allowable flow rate of the boiler. Requires Cupro-Nickel heat exchanger.

PUMP CURVE INFORMATION IS BASED ON A SINGLE WATER HEATER PIPED TO A SINGLE STORAGE TANK INSTALLATION.

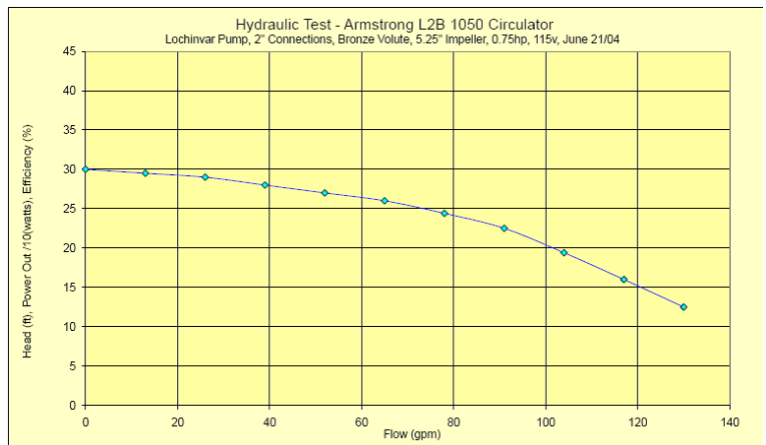
STD PUMP FOR MODEL No(s).	PUMP P/N (MATERIAL)
PB 0502-1302	100166406 (Cast Iron)
MAXIMUM FLOW RATE	VOLTAGE – AMP DRAW
75 GPM	115V – 5 A
BASED ON MINIMUM PIPE DIAMETER: 2-1/2"	



STD PUMP FOR MODEL No(s).	PUMP P/N (MATERIAL)
PF 0502-1302	100166433 (All Bronze)
MAXIMUM FLOW RATE	VOLTAGE – AMP DRAW
75 GPM	120V – 5.7 A
BASED ON MINIMUM PIPE DIAMETER: 2-1/2"	



STD PUMP FOR MODEL No(s).	PUMP P/N (MATERIAL)
PB 1501-2001	100133623 (Cast Iron)
PF 1501-2001	100133622 (All Bronze)
MAXIMUM FLOW RATE	VOLTAGE – AMP DRAW
90 GPM	115/230V – 5 A
BASED ON MINIMUM PIPE DIAMETER: 2-1/2"	



Read the Installation and Operation Manual.

Please contact the factory if the planned system exceeds the pump capacity in flow and/or head loss.