



Power Direct Vent Residential Gas Water Heaters

Power Direct Vent / Sealed Combustion

Standard Features

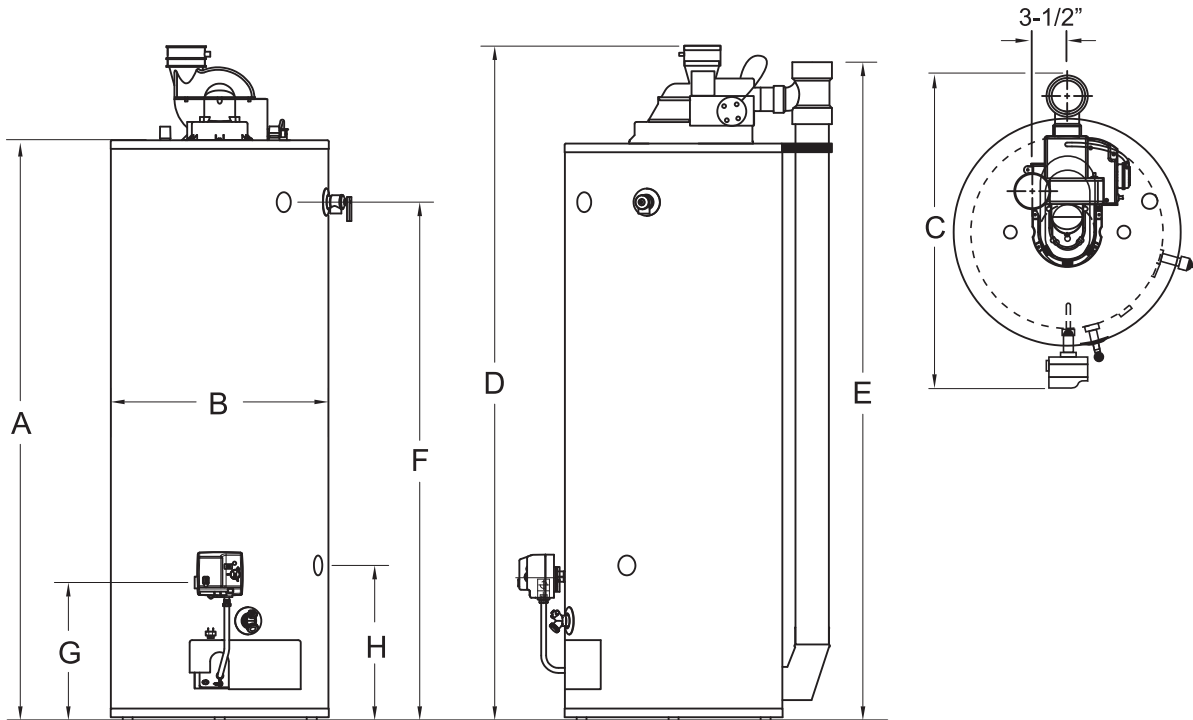
- **Power Direct Venting System** - This 2-pipe closed combustion system utilizes a stand alone vent to exhaust the byproducts of combustion, and a separate air intake to provide fresh combustion air to the unit. Vents to an outside wall using 3" or 4" PVC or CPVC pipe.
- **Flammable Vapor Sensor** - Sensor detects Flammable Vapors and will not allow burner operation if vapors are present. The sensor will also detect ongoing flammable vapor events and prevent burner operation if present.
- **Spark to Pilot Ignition System** - The control utilizes a spark to pilot ignition system. This saves fuel by only operating the pilot during a hot water demand.
- **Microprocessor Control** - Electronic control constantly monitors water temperature and burner status to consistently and accurately maintain water temperature.
- **Non-CFC Foam Insulation** - Improved formulation provides uniform tank coverage with a thick blanket of insulating foam. This non-CFC polyurethane closed cell foam minimizes standby losses and maximizes heat retention.
- **Glass-Lined Steel Tank** - The durable glass lining assures lasting protection against rust and corrosion while providing clean, clear hot water. This tank is automatically formed, rolled, and welded to assure a continuous seam for the glass lining. Each tank is triple-tested to ensure quality.
- **Heat Traps** - Factory installed, minimizes heat loss through piping.
- **Dielectric Nipples** - Factory installed waterways protect the tank from corrosive action between dissimilar metals, while providing piping convenience.
- **Side Tappings**- Provided for space heating applications.
- **Temperature & Pressure Relief Valve**
- **Brass Drain Valve**
- **6 Year Limited Warranty***
(See warranty for details)
- **10 Year Extended Warranty Available**
(In residential applications)

* 3 year limited warranty on tank and 1 year limited warranty on Parts when installed in commercial applications



- **Concentric Vent Termination (optional)** - 3" vent kit allows for the air and vent to be terminated vertically or horizontally through a single opening.

Dimensions and Specifications

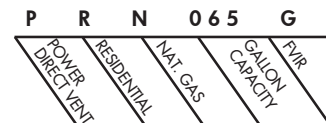


Model Number	Natural Gas		LP Gas		1st Energy Hour Factor	Energy Factor	A	B	C	D	E	F	G	H	Vent Size	Ship. Wt.	
	Gal. Cap.	Btu/hr Input	GPH @ 90°F Rise	Btu/hr Input													GPH @ 90°F Rise
PRN050G	48	60,000	65	60,000	65	100	0.60	58-3/4"	22"	32"	65"	67"	52-1/4"	13-3/4"	15-3/4"	3"	212
PRN065G	65	65,000	70	65,000	70	114	0.59	62"	22"	32-1/4"	68"	69-1/2"	55-3/4"	13-3/4"	15-3/4"	3"	246
PRN075G	75	70,000	75	70,000	75	132	0.58	61-3/4"	26"	36"	67-3/4"	69-1/2"	54-1/4"	16-1/4"	19"	3"	301

Notes: All LP heaters are equipped with a cast iron burner. Replace "N" with "L" to indicate LP gas model.
 All gas connections are 1/2".
 All water connections are 3/4" NPT on 11" centers.

110 VAC, 60 HZ, 3.1 AMP is required for power venting.
 Maximum Horizontal & Vertical Vent Length is 45 feet (60 equivalent feet, with 3 - 90° elbows), when using 3" pipe.
 Maximum Horizontal & Vertical Vent Length is 85 feet (100 equivalent feet, with 3 - 90° elbows), when using 4" pipe.

FOR EASE IN ORDERING BY MODEL NUMBER



This heater is a 65,000 Btu/hr Power Direct Vent natural gas water heater with a 65 gallon storage capacity

Certified for Potable Water and Space Heating Applications

This water heater is suitable for water heating and space heating. Toxic chemicals, such as those used for boiler water treatment shall NEVER be introduced into this system. This water heater may NEVER be connected to any existing heating system or components previously used with non-potable water heating appliances.



Lochinvar
 High Efficiency Water Heaters, Boilers and Pool Heaters



Lochinvar Corporation • 300 Maddox Simpson Pkwy • Lebanon, TN 37090 • 615-889-8900 / Fax: 615-547-1000
www.Lochinvar.com