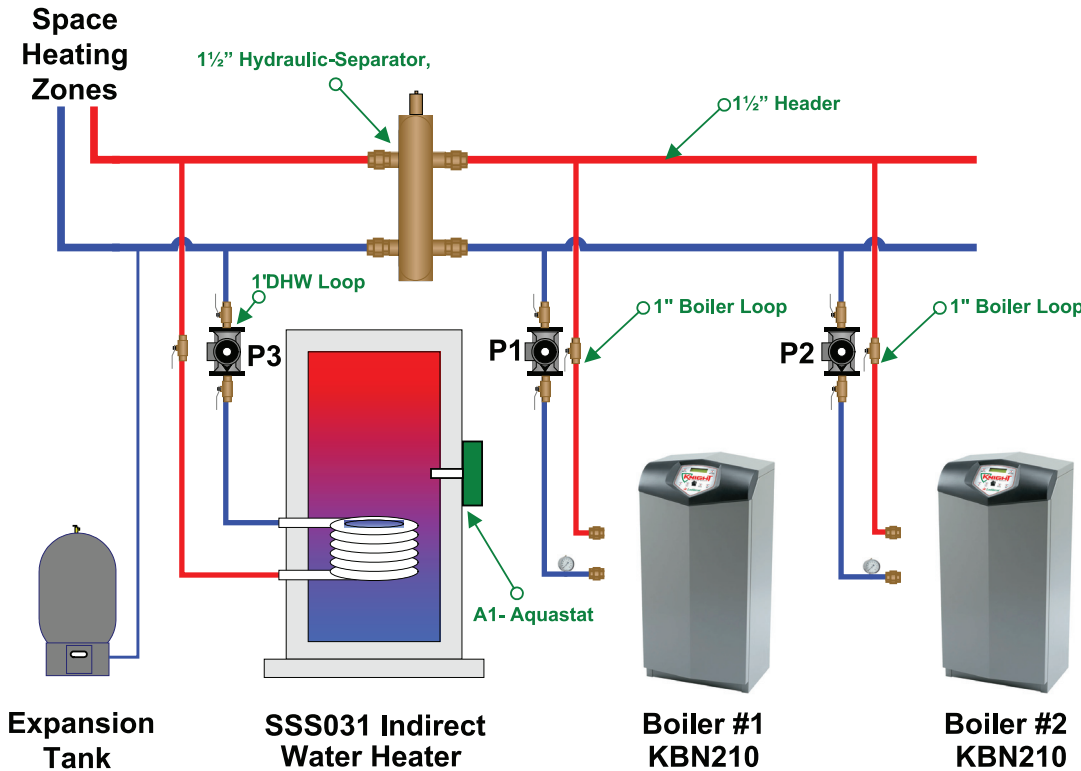


November's Flawed Problem



Hydronic Heating Sleuth's Challenge

Polish your hydronic heating sleuthing skills by identifying 3 problems with this hydronic heating system. When you are confident you have correctly identified these problems, log on to www.Lochinvar.com and find the solution.



Symptoms

1. Call for DHW results in Boiler #1 Temp Overshoot.
2. Boiler #2 not responding to space heating call.
3. Large temperature fluctuation in target temp for space heating.

HINT: Boiler, IFC pumps, and piping are all sized correctly.

Lochinvar is a leading manufacturer of high efficiency residential and commercial water heaters, boilers and pool heaters and is based in Lebanon, Tennessee.

This Hydronic Heating Sleuth's Challenge will be featured monthly in PHC News and represents real life scenarios that we see in the field and hear about from our installing contractors.

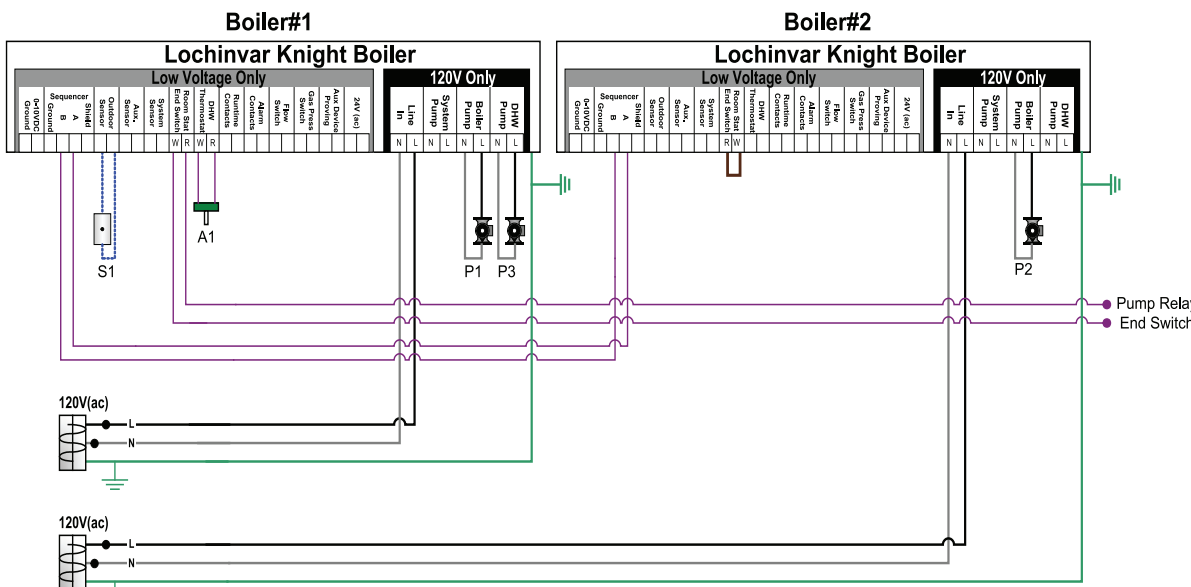
We encourage you to test your hydronic heating sleuthing skills and solve the mystery each month and then check your answers against what was actually found in the field by visiting www.Lochinvar.com.

If you would like to contribute a story to us to be considered for inclusion in this feature, please e-mail your information including photos, drawings or electrical schematics plus a description to:

Paul Rohrs - Contributing Writer
paulrohrs@neb.rr.com

ANSWER:

www.Lochinvar.com



Legend

S1 = Outdoor Sensor
 S2 = System Sensor
 A1 = DHW Aquastat
 B1 = Boiler #1
 B2 = Boiler #2

P1 = Boiler #1 Pump
 P2 = Boiler #2 Pump
 P3 = DHW Pump

— = 120 V (AC)
 — = Neutral
 — = Ground
 - - - = Sensor Wire
 [Shielded] = Shielded Communication Cable
 — = 24 V (AC)

Venting and Gas piping not illustrated for this example and can be excluded as causes for the symptoms listed above.

