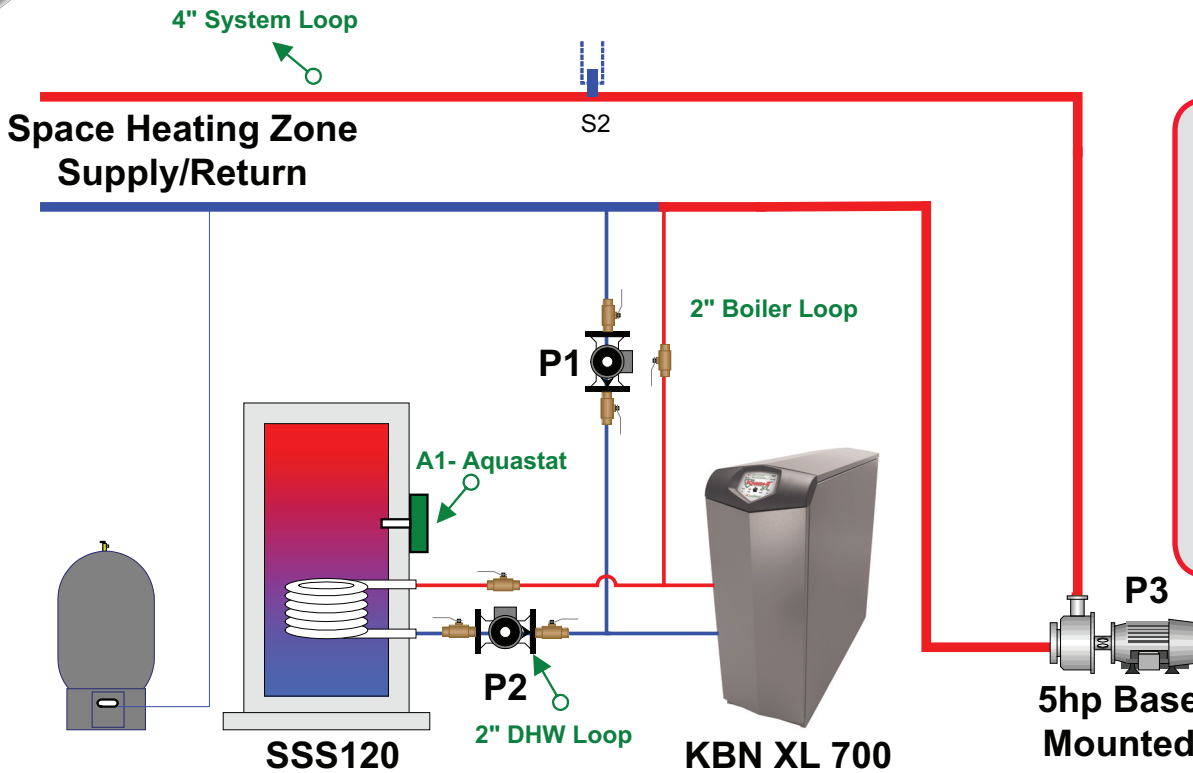




# Hydronic Heating Sleuth's Challenge

Polish your hydronic heating sleuthing skills by identifying 3 problems with this hydronic heating system. When you are confident you have correctly identified these problems, log on to [www.Lochinvar.com](http://www.Lochinvar.com) and find the solution.



**Symptoms**

1. Calls for space heating and DHW lead to immediate "Temp Overshoot" and lock out on Manual-Reset High-Limit.
2. System Pump not operating properly.
3. KBN XL boiler and circulator operation are noisy.

**HINT:** Boiler loop and DHW loop are correctly sized

Lochinvar is a leading manufacturer of high efficiency residential and commercial water heaters, boilers and pool heaters and is based in Lebanon, Tennessee.

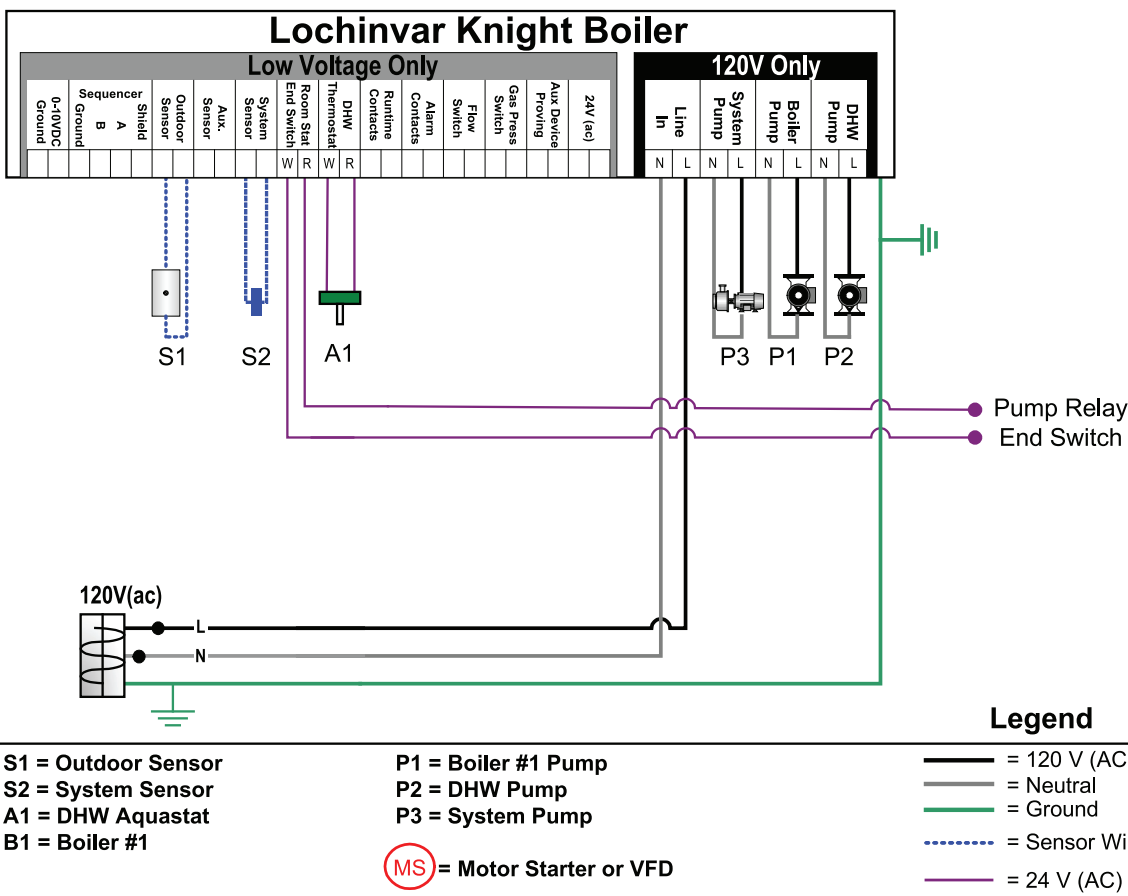
This Hydronic Heating Sleuth's Challenge will be featured monthly in PHC News and represents real life scenarios that we see in the field and hear about from our installing contractors.

We encourage you to test your hydronic heating sleuthing skills and solve the mystery each month and then check your answers against what was actually found in the field by visiting [www.Lochinvar.com](http://www.Lochinvar.com).

If you would like to contribute a story to us to be considered for inclusion in this feature, please e-mail your information including photos, drawings or electrical schematics plus a description to:

**Paul Rohrs - Contributing Writer**  
[paulroh@neb.rr.com](mailto:paulroh@neb.rr.com)

**ANSWER:**  
[www.Lochinvar.com](http://www.Lochinvar.com)



Venting and Gas piping not illustrated for this example and can be excluded as causes for the symptoms listed above.

