

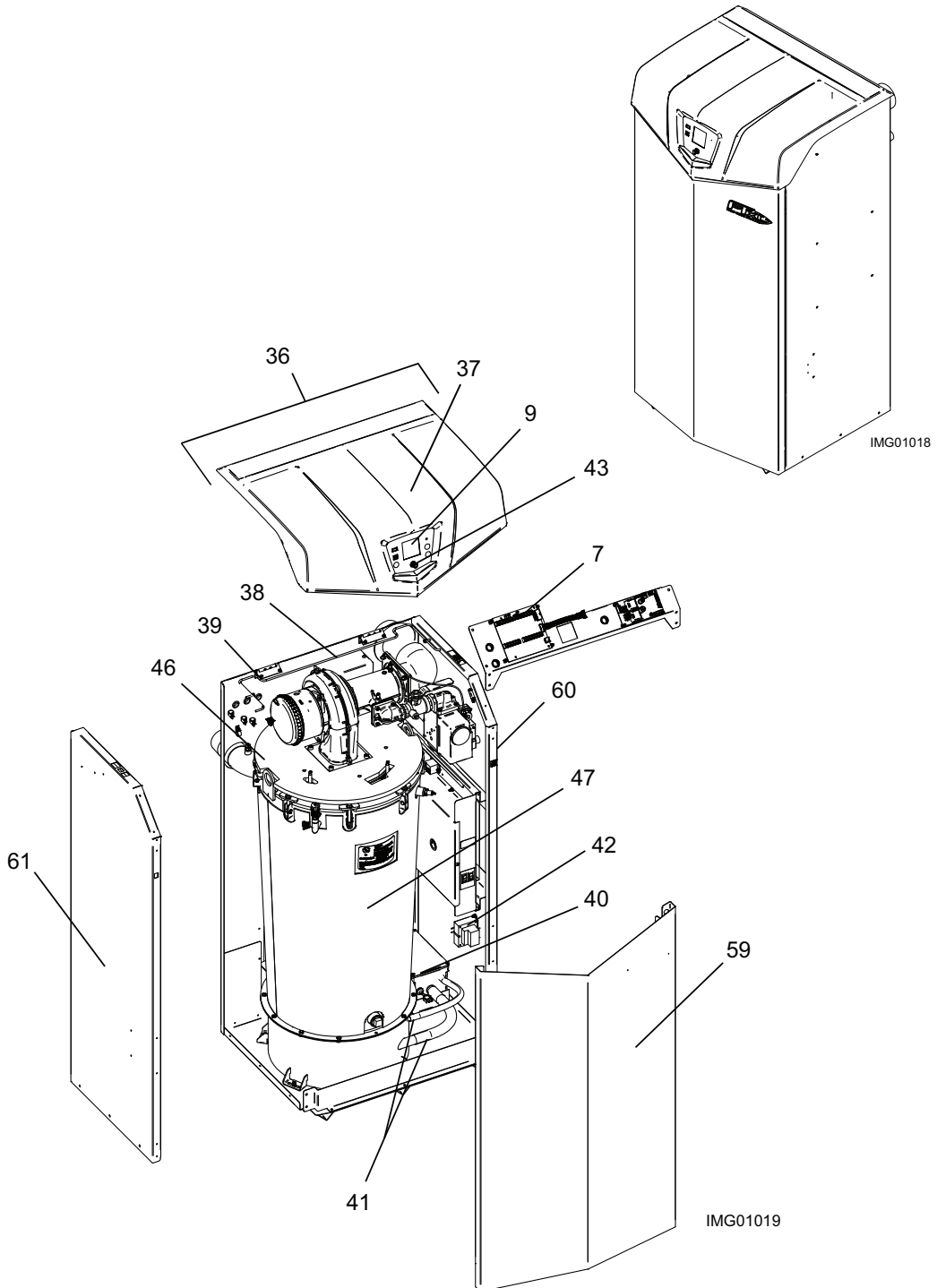


Lochinvar[®]
HIGH EFFICIENCY BOILERS & WATER HEATERS

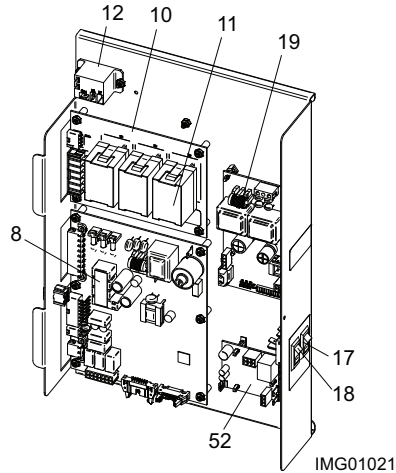
PARTS & SERVICE DEPARTMENT
Nashville, Tennessee
877-554-5544 • Fax: 615-882-2918
parts_team@lochinvar.com
www.Lochinvar.com

Replacement Parts List

FTXL[®]
Heating Boilers
FTX400 - 850(N/L)

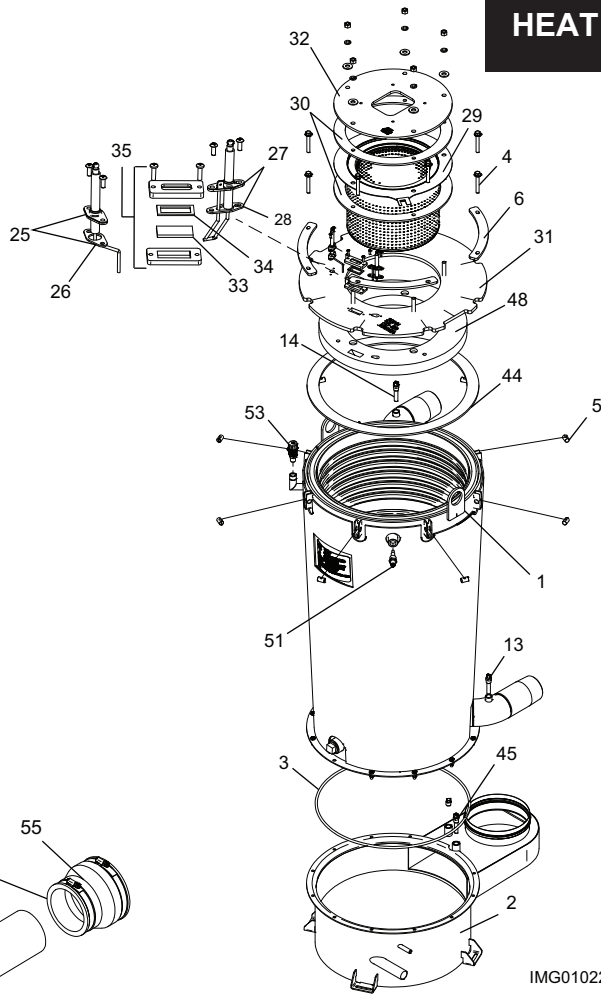


CONTROL PANEL



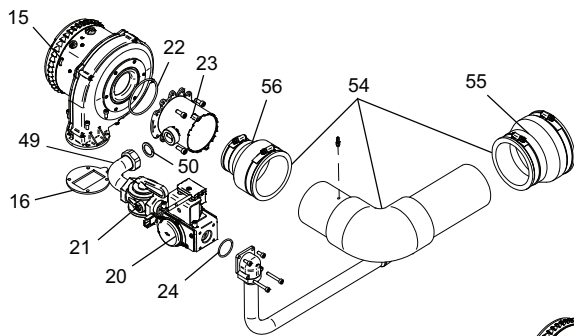
IMG01021

HEAT EXCHANGER

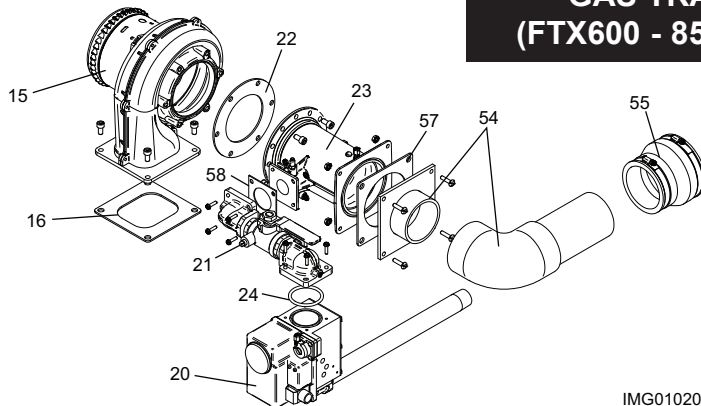


IMG01022

GAS TRAIN (FTX400 - 500 N/L)



GAS TRAIN (FTX600 - 850 N/L)



IMG01020

ITEM NO.	PART NO.	DESCRIPTION	MODEL
HEAT EXCHANGER ASSEMBLY			
1	100188998	HEAT EXCHANGER COMPLETE	FTX400
1	100188999	HEAT EXCHANGER COMPLETE	FTX500-600
1	100189000	HEAT EXCHANGER COMPLETE	FTX725
1	100189001	HEAT EXCHANGER COMPLETE	FTX850
2	100189002	HEAT EXCHANGER FLUE COLLECTOR	FTX400-600
2	100189003	HEAT EXCHANGER FLUE COLLECTOR	FTX725-850
3	100288873*	FLUE / HEAT EXCHANGER GASKET	FTX400-600
3	100288874*	FLUE / HEAT EXCHANGER GASKET	FTX725-850
4	100288875	BOLT, HEX	ALL
5	100288876	NUT, HEX	ALL
6	100288904	WASHER, HEX	FTX 400-600
6	100288905	WASHER, HEX	FTX725-850

PLEASE HAVE MODEL AND SERIAL NUMBER WHEN ORDERING PARTS

*ITEMS DENOTE SUGGESTED INVENTORY PARTS

ITEM NO.	PART NO.	DESCRIPTION	MODEL
CONTROLS			
7	100277838*	LOW VOLTAGE CONNECTION BOARD	ALL
8	100189280*	INTEGRATED CONTROL BOARD	FTX400
8	100189281*	INTEGRATED CONTROL BOARD	FTX500
8	100189282*	INTEGRATED CONTROL BOARD	FTX600
8	100189283*	INTEGRATED CONTROL BOARD	FTX725
8	100189284*	INTEGRATED CONTROL BOARD	FTX850
8	100189285	INTEGRATED CONTROL BOARD - HIGH ALTITUDE	FTX400
8	100189286	INTEGRATED CONTROL BOARD - HIGH ALTITUDE	FTX500
8	100189287	INTEGRATED CONTROL BOARD - HIGH ALTITUDE	FTX600
8	100189288	INTEGRATED CONTROL BOARD - HIGH ALTITUDE	FTX725
8	100189289	INTEGRATED CONTROL BOARD - HIGH ALTITUDE	FTX850
9	100278134*	USER INTERFACE CONTROL	ALL
10	100208493*	PUMP RELAY BOARD, 1.5 HP	ALL
11	100208502*	RELAY, 1.5 HP PUMP	ALL
12	100208509*	RELAY, 120VAC, 60HZ, 10.8 AMP	ALL
13	100208549*	INLET SENSOR	ALL
14	100208544*	OUTLET SENSOR/ HIGH LIMIT	ALL
15	100188879	FAN ASSEMBLY	FTX400
15	100188878	FAN ASSEMBLY	FTX500
15	100188877	FAN ASSEMBLY	FTX600-850
16	100288877	GASKET, FAN	FTX400-500
16	100288878	GASKET, FAN	FTX600-850
17	100277798	MOMENTARY SWITCH, BLACK - 20 AMP, 125 VOLT	ALL
18	100277797	MOMENTARY SWITCH, RED - 20 AMP, 125 VOLT	ALL
19	100277771	MODBUS INTERFACE BOARD-MTR-01	ALL
GAS VALVES			
20	100189393	GAS VALVE ASSEMBLY NAT & LP	FTX400
20	100189392	GAS VALVE ASSEMBLY NAT & LP	FTX500
20	100189391	GAS VALVE ASSEMBLY NAT	FTX600
20	100189390	GAS VALVE ASSEMBLY NAT	FTX725
20	100189389	GAS VALVE ASSEMBLY NAT	FTX850
20	100189388	GAS VALVE ASSEMBLY LP	FTX600
20	100189387	GAS VALVE ASSEMBLY LP	FTX725
20	100189386	GAS VALVE ASSEMBLY LP	FTX850
21	100277803	GAS CUT OFF VALVE 3/4"	FTX500
21	100288546	GAS CUT OFF VALVE 1"	FTX600-850
22	100208761*	GASKET, VENTURI	FTX400-500
22	100233694*	GASKET, VENTURI	FTX600-850
23	100278070	VENTURI ASSEMBLY - NATURAL	FTX400-500
23	100288545	VENTURI ASSEMBLY - LP	FTX400-500
23	100288547	VENTURI ASSEMBLY	FTX600
23	100288879	VENTURI ASSEMBLY	FTX725-850
24	100288880	GASKET, GAS VALVE	FTX500
24	100288891	GASKET, GAS VALVE	FTX600-850
PILOT & BURNER ASSEMBLIES			
25	100165923*	FLAME SENSOR W/ GASKET	ALL
26	100233664	GASKET, FLAME SENSOR	ALL
27	100165924*	IGNITOR W/ GASKET	ALL
28	100233662	GASKET, IGNITOR	ALL
29	100188648	BURNER W/ GASKET	FTX400
29	100188649	BURNER W/ GASKET	FTX500-600
29	100188650	BURNER W/ GASKET	FTX725-850
30	100288892*	GASKET, BURNER	FTX400-600
30	100288893*	GASKET, BURNER	FTX725-850
31	100189410	HEAT EXCHANGER DOOR ASSEMBLY	FTX400-600
31	100189409	HEAT EXCHANGER DOOR ASSEMBLY	FTX725-850
32	100189408	PLATE, FAN HEAT EXCHANGER ASSEMBLY	FTX400-500
32	100189407	PLATE, FAN HEAT EXCHANGER ASSEMBLY	FTX600
32	100189406	PLATE, FAN HEAT EXCHANGER ASSEMBLY	FTX725-850
PLEASE HAVE MODEL AND SERIAL NUMBER WHEN ORDERING PARTS *ITEMS DENOTE SUGGESTED INVENTORY PARTS			

ITEM NO.	PART NO.	DESCRIPTION	MODEL
MISCELLANEOUS			
33	100274750	SIGHT GLASS	ALL
34	100274752	GASKET, SIGHT GLASS - WHITE	ALL
35	100189215	KIT, SIGHT GLASS W/ GASKETS	ALL
36	100189217	DISPLAY BEZEL ASSEMBLY	ALL
37	100278236	DISPLAY BEZEL	ALL
38	100288909	BEZEL PROP ROD	ALL
39	100288910	HINGE SPRING	ALL
40	100277718	CONDENSATE TRAP (PRIOR TO SERIAL #1741)	ALL
40	100284709	CONDENSATE TRAP (BEGINNING SERIAL #1741)	ALL
41	100288163	HOSE, CONDENSATE	ALL
42	100208246	TRANSFORMER, 24V, 60VA	ALL
43	100277824	FLUTED KNOB W/ SKIRT	ALL
44	100288908*	HEAT EXCHANGER GASKET SET	FTX400-600
44	100288921*	HEAT EXCHANGER GASKET SET	FTX725-850
45	100208561*	SENSOR, FLUE TEMP	ALL
46	100288894	TOP INSULATION	FTX400-500
46	100288895	TOP INSULATION	FTX600
46	100288896	TOP INSULATION	FTX725-850
47	100288897	BLANKET INSULATION	FTX400-600
47	100288898	BLANKET INSULATION	FTX725-850
48	100288927	BURNER FIBERBOARD	FTX400-600
48	100288928	BURNER FIBERBOARD	FTX725-850
49	100278091	UNION ADAPTER	FTX400-500
50	100288899	1" DONUT GASKET	FTX400-500
51	100309672	PROBE, LOW WATER CUT-OFF	ALL
52	100276822*	LOW WATER CUT-OFF - AUTO / MANUAL RESET	ALL
53	100167445	AIR VENT VALVE	ALL
54	100189214	AIR INLET KIT	FTX400-500
54	100189213	AIR INLET KIT	FTX600-850
55	100288558	COUPLING, AIR INLET, 3" X 4"	ALL
56	100275561	AIR INLET COUPLING, 2" X 3", W/ CLAMPS	FTX400-500
57	100208089	GASKET, FAN / VENTURI	FTX600-850
58	100208105	GASKET, GAS VALVE / VENTURI	FTX600-850
-	100208242	ON / OFF SWITCH W/ I-O SYMBOL	ALL
-	100208454	RELIEF VALVE, 3/4", 50 PSI	FTX400-600
-	100208442	PRESSURE RELIEF VALVE, 3/4", 50 PSI	FTX725-850
-	100208834	OUTDOOR AIR SENSOR	ALL
-	100208152	GAUGE TRIOMETER, 75 PSI	ALL
-	100208552	SENSOR, SYSTEM / INLET	ALL
-	100208308	DOOR CATCH, BLUE	ALL
-	100208818	DOOR STRIKE	ALL
-	100277748	WIRE HARNESS, UNIT	ALL
-	100288900	WIRE HARNESS, POWER	ALL
-	100278061	WIRE HARNESS, FLAME SENSOR ELECTRODE	ALL
-	100208620	WIRE HARNESS, SPARK ELECTRODE	ALL
-	100288901	RIBBON CABLE	ALL
-	100288902	WIRE HARNESS, GAS VALVE	FTX400-500
-	100288903	WIRE HARNESS, GAS VALVE	FTX600-850
-	100170645	SYSTEM SENSOR KIT W/ BULB WELL	ALL
-	100189160	INSTALLATION KIT	FTX400-600
-	100189161	INSTALLATION KIT	FTX725-850
-	100189174	LP CONVERSION KIT	FTX400-500
-	100189175	LP CONVERSION KIT	FTX600-850
-	100289529	USER INTERFACE OVERLAY LABEL	ALL
JACKET ASSEMBLY			
59	100189062	JACKET, OUTER FRONT	ALL
60	100189063	JACKET, OUTER RIGHT	ALL
61	100189064	JACKET, OUTER LEFT	ALL

PLEASE HAVE MODEL AND SERIAL NUMBER WHEN ORDERING PARTS
*ITEMS DENOTE SUGGESTED INVENTORY PARTS