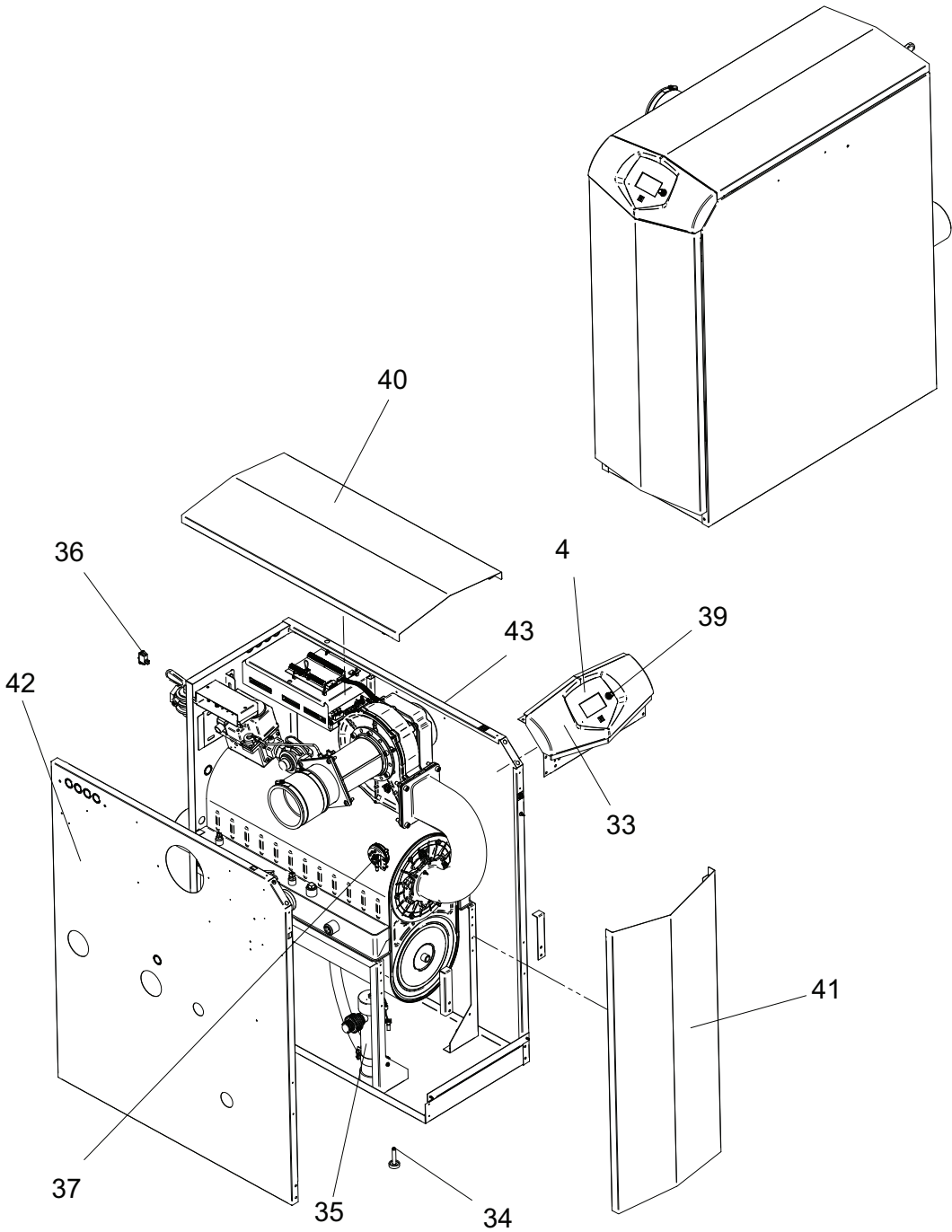




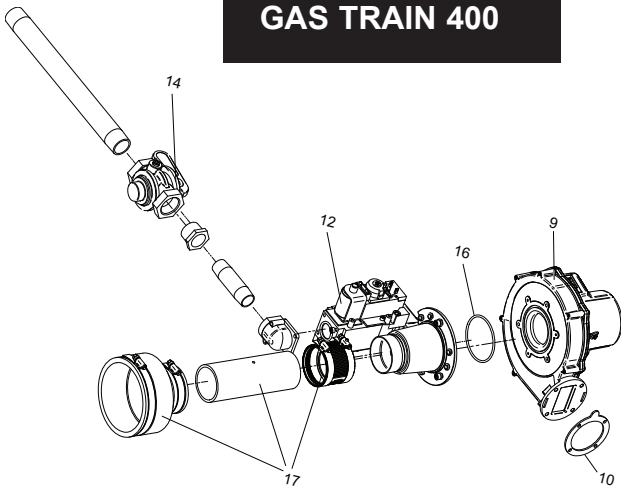
**PARTS & SERVICE DEPARTMENT**  
Nashville, Tennessee  
877-554-5544 • Fax: 615-882-2918  
parts\_team@lochinvar.com  
www.Lochinvar.com

**Replacement Parts List**

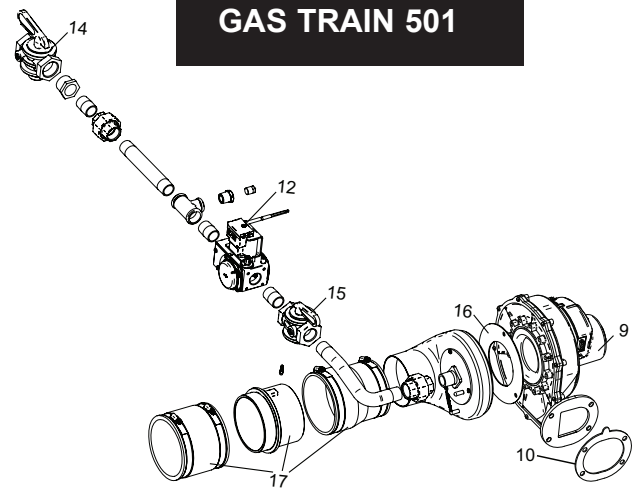
**Knight XL**  
**Heating Boilers**  
**KB 400 thru 801**



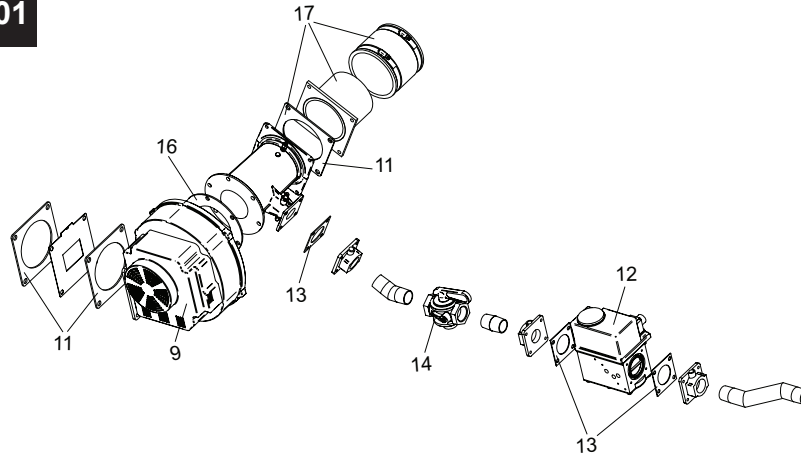
### GAS TRAIN 400



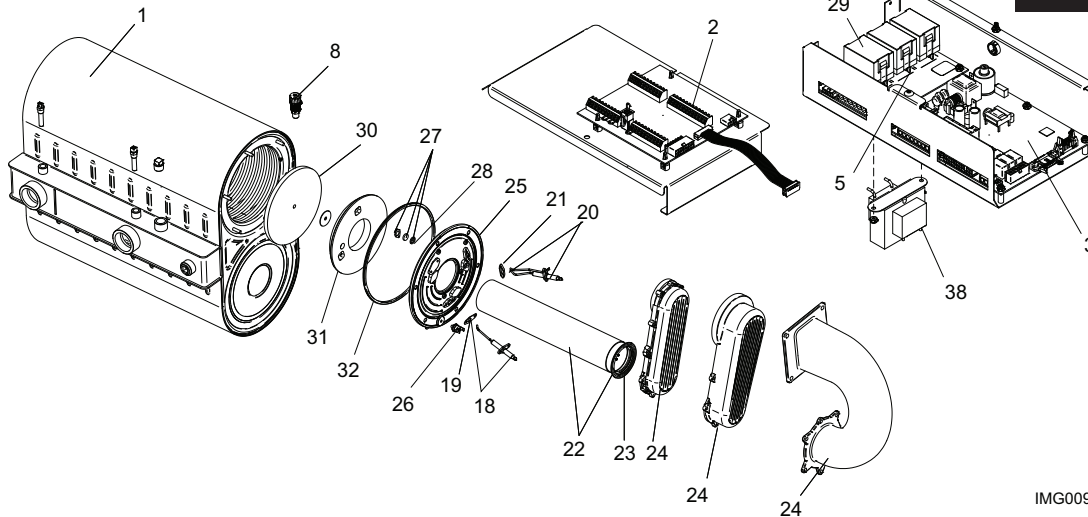
### GAS TRAIN 501



### GAS TRAIN 601-801



### HEAT EXCHANGER 400-801



### CONTROL PANEL

IMG00949

ITEM NO.	PART NO.	DESCRIPTION	MODEL
<b>HEAT EXCHANGER ASSEMBLY</b>			
1	100147457	HEAT EXCHANGER - ASME - H STAMP 399 MBH	KBN400
1	100147458	HEAT EXCHANGER - ASME - H STAMP 500 MBH	KBN501
1	100147460	HEAT EXCHANGER - ASME - H STAMP 600 MBH	KBN601
1	100147461	HEAT EXCHANGER - ASME - H STAMP 700 MBH	KBN701
1	100147462	HEAT EXCHANGER - ASME - H STAMP 800 MBH	KBN801
<b>CONTROLS</b>			
2	100208459*	LOW VOLTAGE CONNECTION BOARD	ALL
3	100167793*	INTEGRATED CONTROL PRIOR TO SERIAL H10	KBN400
3	100167823*	INTEGRATED CONTROL BEGINNING SERIAL H10	KBN400

PLEASE HAVE MODEL AND SERIAL NUMBER WHEN ORDERING PARTS  
\*ITEMS DENOTE SUGGESTED INVENTORY PARTS

ITEM NO.	PART NO.	DESCRIPTION	MODEL
<b>CONTROLS (CONTINUED)</b>			
3	100167794*	INTEGRATED CONTROL PRIOR TO H10	KBN501
3	100167824*	INTEGRATED CONTROL BEGINNING H10	KBN501
3	100167795*	INTEGRATED CONTROL PRIOR TO H10	KBN601 - 801
3	100167825*	INTEGRATED CONTROL BEGINNING H10	KBN601 - 801
3	100167796	HIGH ALTITUDE INTEGRATED CONTROL PRIOR TO H10	KBN400
3	100167826	HIGH ALTITUDE INTEGRATED CONTROL BEGINNING H10	KBN400
3	100167797	HIGH ALTITUDE INTEGRATED CONTROL PRIOR TO H10	KBN501
3	100167827	HIGH ALTITUDE INTEGRATED CONTROL BEGINNING H10	KBN501
3	100167798	HIGH ALTITUDE INTEGRATED CONTROL PRIOR TO H10	KBN601 - 801
3	100167828	HIGH ALTITUDE INTEGRATED CONTROL BEGINNING H10	KBN601 - 801
4	100208458*	USER INTERFACE CONTROL	ALL
	100289522	OVERLAY LABEL, USER INTERFACE	ALL
5	100208493*	RELAY BOARD, 1.5 HP PUMP	ALL
6	100208549*	INLET SENSOR	ALL
7	100208544*	OUTLET SENSOR / HIGH LIMIT	ALL
8	100167445	AIR VENT VALVE	ALL
9	100145008	FAN ASSEMBLY	KBN400
9	100145009	FAN ASSEMBLY	KBN501
9	100144980	FAN ASSEMBLY	KBN601 - 801
10	100208101*	GASKET, FAN / AIR ARM	KBN400
10	100208759*	GASKET, FAN / AIR ARM	KBN501
11	100208089*	GASKET, FAN / VENTURI	KBN601-801
<b>GAS VALVES</b>			
12	100172006	GAS VALVE ASSEMBLY	KBN400
12	100172009	GAS VALVE ASSEMBLY, NATURAL	KBN501
12	100172014	GAS VALVE ASSEMBLY, NATURAL	KBN601
12	100171923	GAS VALVE ASSEMBLY, NATURAL	KBN701
12	100172015	GAS VALVE ASSEMBLY, NATURAL	KBN801
12	100171928	GAS VALVE ASSEMBLY, LP	KBL501
12	100171929	GAS VALVE ASSEMBLY, LP	KBL601
12	100171930	GAS VALVE ASSEMBLY, LP	KBL701
12	100171931	GAS VALVE ASSEMBLY, LP	KBL801
13	100208105*	GASKET, FLANGE VENTURI	KBN601 - 801
14	100300201	GAS CUT OFF VALVE, 1"	ALL
15	100277803	GAS CUT OFF VALVE, 3/4"	KBN501
16	100208761*	GASKET, VENTURI	KBN400
16	100233703*	GASKET, AIR SHROUD	KBN501
16	100233694*	GASKET, VENTURI	KBN601 - 801
17	100163254	AIR INLET KIT	KBN400
17	100163256	AIR INLET KIT	KBN501
17	100163255	AIR INLET KIT	KBN601-801
<b>PILOT &amp; BURNER ASSEMBLIES</b>			
18	100165930*	FLAME SENSOR W/ GASKET	KBN400/501
18	100165931*	FLAME SENSOR W/ GASKET	KBN601 - 801
19	100208091*	GASKET, FLAME SENSOR	ALL
20	100165929*	IGNITOR W/ GASKET	KBN400/501
20	100165920*	IGNITOR W/ GASKET	KBN601 - 801
21	100208086*	GASKET, IGNITOR	ALL
22	100135311	BURNER ASSEMBLY W/ GASKET	KBN400/501
22	100135313	BURNER ASSEMBLY W/ GASKET	KBN601
22	100135314	BURNER ASSEMBLY W/ GASKET	KBN701
22	100135315	BURNER ASSEMBLY W/ GASKET	KBN801
23	100208085*	GASKET, BURNER	KBN400/501
23	100233594*	GASKET, BURNER	KBN601 - 801
24	100173792	GAS/AIR ARM ASSEMBLY W/ GASKET	KBN400
24	100173793	GAS/AIR ARM ASSEMBLY W/ GASKET	KBN501
24	100173798	GAS/AIR ARM ASSEMBLY W/ GASKET	KBN601 - 801
25	100173794	HEAT EXCHANGER ACCESS DOOR KIT	KBN400/501
25	100173799	HEAT EXCHANGER ACCESS DOOR KIT	KBN601 - 801
26	100292715	HEX DOOR TEMP SWITCH BEGINNING SERIAL #F14	ALL
<b>MISCELLANEOUS</b>			
27	100163249	SIGHT GLASS	ALL
28	100208762	GASKET, SIGHT GLASS	ALL
29	100208502	RELAY, 1.5 HP PUMP	ALL
<b>PLEASE HAVE MODEL AND SERIAL NUMBER WHEN ORDERING PARTS</b>			
<b>*ITEMS DENOTE SUGGESTED INVENTORY PARTS</b>			

ITEM NO.	PART NO.	DESCRIPTION	MODEL
<b>MISCELLANEOUS (CONTINUED)</b>			
30	100208061	DIVIDER PLATE, INSULATION BAFFLE	ALL
31	100208060	BURNER PLATE, INSULATION, DOOR	KBN400/501
31	100208059	BURNER PLATE, INSULATION, DOOR	KBN601 - 801
32	100208088	GASKET, RUBBER DOOR	KBN400/501
32	100208093	GASKET, RUBBER DOOR	KBN601 - 801
33	100208320	DISPLAY BEZEL	ALL
34	100321509	LEVELING LEGS	ALL
35	100163244	CONDENSATE TRAP	ALL
-	<b>100208243*</b>	BLOCKED DRAIN SWITCH	ALL
36	100208242	ON / OFF SWITCH W/ I-O SYMBOL	ALL
37	<b>100208378*</b>	PRESSURE SWITCH, 4.1" WATER COLUMN	KBN400
37	<b>100208383*</b>	PRESSURE SWITCH, 5.3" WATER COLUMN	KBN501
37	<b>100208382*</b>	PRESSURE SWITCH, 6.2" WATER COLUMN	KBN601-801
38	100208230	TRANSFORMER, 24V, 40VA	KBN400 - 701
38	100208246	TRANSFORMER, 24V, 60VA	KBN801
39	100277824	FLUTED KNOB W/ SKIRT	ALL
-	100208454	RELIEF VALVE, 3/4", 50 PSI	KBN400-601
-	100208442	PRESSURE RELIEF VALVE, 3/4", 50 PSI	KBN701/801
-	<b>100208808*</b>	FUSE, 1.25A / 250V	ALL
-	<b>100208231*</b>	FUSE, 3.15A / 250V	ALL
-	<b>100208232*</b>	FUSE, 5A / 250V	ALL
-	<b>100208661*</b>	FLOW SWITCH W/ PADDLE	ALL
-	100276804	EIGHT POSITION TERMINAL STRIP	ALL
-	100208834	OUTDOOR AIR SENSOR	ALL
-	<b>100208152*</b>	GAUGE TRIOMETER, 75# PSI	ALL
-	<b>100170642*</b>	FLUE TEMPERATURE SENSOR W/ GROMMET	ALL
-	100189054	FLUE COLLAR KIT, 4"	KBN400-601
-	<b>100208652*</b>	LOW WATER CUT-OFF W/ MANUAL RESET	ALL
-	100157719	ALARM BELL	ALL
-	100159011	LP CONVERSION KIT	KBN400
-	100159012	LP CONVERSION KIT (AFTER SERIAL# J07 FOR KBN500)	KBN501-801
-	<b>100208552*</b>	SENSOR, SYSTEM / INLET	ALL
-	100208569	BULB WELL, 1/4"	ALL
-	100148402	HEAT EXCHANGER OVER-TEMP SWITCH	ALL
-	100288486	WIRE HARNESS, POWER	ALL
-	100208625	WIRE HARNESS, CONNECTION BOARD	ALL
-	100072937	WIRE HARNESS, UNIT	ALL
-	100208618	WIRE HARNESS, SPARK ELECTRODE	KBN400 & 501
-	100208623	WIRE HARNESS, SPARK ELECTRODE	KBN601-801
-	100208636	CABLE, RIBBON	KBN400 & 501
-	100208638	CABLE, RIBBON	KBN601-801
-	100208637	WIRE HARNESS, GAS VALVE	KBN400
-	100173314	WIRE HARNESS, GAS VALVE	KBN501
-	100299111	WIRE HARNESS, GAS VALVE	KBN601-801
-	100208622	WIRE HARNESS, FLAME SENSOR ELECTRODE	ALL
<b>JACKET ASSEMBLY</b>			
40	100149826	JACKET, TOP	KBN400
40	100149695	JACKET, TOP	KBN501
40	100149828	JACKET, TOP	KBN601
40	100149829	JACKET, TOP	KBN701
40	100267269	JACKET, TOP	KBN801
41	100149694	JACKET, FRONT	ALL
42	100149873	JACKET, LEFT SIDE	KBN400
42	100149860	JACKET, LEFT SIDE	KBN501
42	100149859	JACKET, LEFT SIDE	KBN601
42	100149858	JACKET, LEFT SIDE	KBN701
42	100149857	JACKET, LEFT SIDE	KBN801
43	100150295	JACKET, RIGHT SIDE	KBN400
43	100150297	JACKET, RIGHT SIDE	KBN501
43	100150299	JACKET, RIGHT SIDE	KBN601
43	100150301	JACKET, RIGHT SIDE	KBN701
43	100150302	JACKET, RIGHT SIDE	KBN801
<b>PLEASE HAVE MODEL AND SERIAL NUMBER WHEN ORDERING PARTS</b>			
<b>*ITEMS DENOTE SUGGESTED INVENTORY PARTS</b>			